

ZPL11

(includes former PATH-1-11L-NF, PATH-1-11L, and PATH-2-11L models)

PATH & BOLLARD | ZPL11 Series | 1.65"

5 - 7W (450 - 675lm) | 12V | HK LED, Amber



IP67



Standard Low Voltage Single Path: ZPL11-0R1SA-ABL



Finned Low Voltage Single Path Light: ZPL11-0R1FA-ABL



Finned Low Voltage Double Path Light: ZPL11-0R2FA-ABL

FEATURES

- Versatile compact directional 12V LED path light for residential and commercial environments.
- 5W, 7W integrated HK LED delivering 450 to 675 lumens per light. 2200-4000K CCT, including specialty Amber options.
- Wet Location Listed, IP67 Standard.
- Machined from solid aircraft grade (6061-T6), corrosion-resistant aluminum, then anodized and powder coated to create a highly durable, marine grade finish. Also available in solid brass or stainless steel.
- 240° vertical and 360° horizontal adjustment via locking swivel stem design.
- Modular components, field changeable LED optical beams, and lenses.
- Available with adjustable Angled, Long, and Short Glare Shields and ground, surface, and canopy mounting options.
- Single and double light mounting options at 12", 24", 30" or custom height.
- Every fixture tested end of line for water tightness and light quality.
- Readymade eligible configurations ship in 2 to 4 weeks, complete with selected accessories installed.

SPECIFICATIONS

Materials

Solid billet 6061-T6 corrosion resistant aluminum with 304 stainless steel hardware.

Finish

Aluminum materials are first anodized and then powder coated for a robust, marine grade finish. Stainless steel and brass models are provided with brushed surface.

Hood and Glare Shield

Weeping and Non-weeping Hood Styles. Set screw or threaded Angled, Short, or Long Glare Shields. (See page 4 for details).

Voltage

12V AC/DC. Requires remote step down transformer.

Wattage

5 or 7W HK LED delivering 450-675 lumens per light.

Light Engine

Innovative HK LED Light module operates like a lamp and can be easily changed in the

field. CRI 90 Standard. Available in CRI 80 or CRI 95 upon request. Standard CCT options are 2700K, 3000K, 3500K, 4000K. Specialty 2200K, 2400K, 2500K, Amber options available. Consult factory for specialty LED specification details.

Dimming

MLV or ELV. Phase Control dimming.

Optics

Narrow (29°), Medium (40°), Wide (57°) beam spread options available. Accepts up to 3 optical accessories (hexcel louver, optical lenses, dichroic color filters, etc.) Secured place with metal snap ring.

Mounting

Mounts using 1/2"-14 NPS male fitting compatible with all HK Lighting Group mounting devices. (See page 4 for details).

Listings

ETL Listed for Wet Location, IP67 Standard. RoHS Compliant.

ORDERING GUIDE

EXAMPLE: ZPL11-0R1SA-ABL-012V05W-27N-12-GSA-LVR-MH02-12-BRZ

MODEL	PHYSICAL OPTIONS			MATERIAL /FINISH		POWER	LIGHT			EXTENSION SIZE	
ZPL11						012V					
ZPL11 Series 1.65" Path Light Integrated HK LED	TYPE	STYLE	HOOD	ABL Aluminum Black		VOLTAGE	WATTAGE PER LIGHT	CCT	OPTICS	LENGTH	
	OR1 Low Voltage, Round Single Light	S Standard	A A Style: Weeping	ABR Aluminum Bronze		012V 12V AC	05W 5 Watts (450lm)	22 2200K	N Narrow (29°)	12 12"	
	OR2 Low Voltage, Round Double Light	F Finned	B B Style: No Weep Holes	AWH Aluminum White			07W 7 Watts (675lm)	24 2400K	M Medium (40°)	24 24" ^{1/3}	
			C C Style: Threaded, Weeping	AAC Aluminum Anodized Clear ¹			SPW Specialty ²	25 2500K	W Wide (57°)	30 30" ^{1/3}	
				NBR Natural Brass ¹				27 2700K	CC Custom Optic	CC Custom	
				NCU Natural Copper ¹				30 3000K			
				NSS Natural Stainless Steel ¹				35 3500K			
				CCC Custom Finish ¹				40 4000K			
								AM Amber ²			

Readymade eligible configurations ship in 2 to 4 weeks.

¹ Consult factory for specialty finish quoting and lead times.

² For Specialty AM (Amber LED), select SPW (Specialty) for Wattage. Consult factory for LED technical details before Specification or Order.

³ Recommend Stainless Steel 3-prong ground mount when using 24" and 30" extension lengths.

OPTIONAL INSTALLED ACCESSORIES

GLARE SHIELD

GSA	A/B Glare Shield Angled
GSL	A/B Glare Shield Long
GSS	A/B Glare Shield Short
CGSA	C Glare Shield Angled
CGSL	C Glare Shield Long
CGSS	C Glare Shield Short

OPTIC

LVR	Hexcel Louver
OSL	Overall Spread Lens
LSL	Linear Spread Lens
SOL	Solite Soft Focus
DCF	Dichroic Filter

MOUNTING (Most common listed, see Page 4 for additional options)

GROUND MOUNT	
MH02-06-BRZ	6" Stainless Steel 3-Prong Spike (12V) Bronze
MH02-12-BRZ	12" Stainless Steel 3-Prong Spike (12V) Bronze
MHCS-06	6" PVC Single Prong Spike (12V)
MHCS-12	12" PVC Single Prong Spike (12V)
JB-1	Brass In-ground Junction Box
CANOPY MOUNT	
CM1-XXX	3.75" Square Canopy Plate
CM3-XXX	4.75" Square Canopy Plate
CM5-XXX	5" Round Canopy Plate
CM5-2-XXX	5" Round Canopy Plate - Double
SURFACE MOUNT	
CMLJ-XXX	2.7" Round Surface Box
CB4.0-XXX	4" Round Surface Box
CB5.5-XXX	5.5" Round Surface Box

ADDITIONAL ACCESSORIES (Not installed at time of order)

GLARE SHIELD ACCESSORIES

GSL-11-XXX	A/B Glare Shield Long
GSA-11-XXX	A/B Glare Shield Angled
GSS-11-XXX	A/B Glare Shield Short
CGSL-11-XXX	C Glare Shield Long
CGSA-11-XXX	C Glare Shield Angled
CGSS-11-XXX	C Glare Shield Short

OPTIC ACCESSORIES

LVR-11	Hexcel Louver
OSL-11	Overall Spread Lens
LSL-11	Linear Spread Lens
SOL-11	Solite Soft Focus
DCF-11	Dichroic Filter
OPK-11	Optic Kit - Narrow, Medium, Wide

- Consult Accessory Spec Sheet for desired option code.
- XXX represents color option.
- Readymade options available in ABL and ABR only unless noted by the part code above.

OUTDOOR MAGNETIC TRANSFORMERS (120V input/12VAC Output)

TRANSFORMERS (Go to [Accessories](#) for detailed specification)

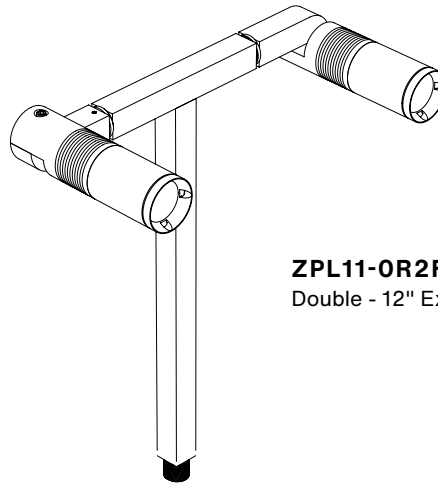
EXAMPLE: TXS-150-SS

MODEL	WATTAGE (VA)						PRIMARY VOLTAGE (VAC)	
TXM Stainless steel, wet location outdoor magnetic transformer Multitap 12VAC Output MLV Dimming	300						OTR-SS (120V Only)	
TXS Stainless steel, wet location outdoor magnetic transformer Multitap 12VAC Output MLV Dimming	150	300	600				SS (120V Only)	
TXM Compact, damp location magnetic transformer 12VAC Output MLV Dimming	20	40	60	100	150	300	120	277
IGT In ground outdoor magnetic transformer 12VAC Output MLV Dimming	50 (120V Only)			100	300	600	120	277
TXE In-fixture or near mounted electronic transformer 12VAC Output ELV Dimming Enclosure by others	60						120	277

PRODUCT DRAWINGS

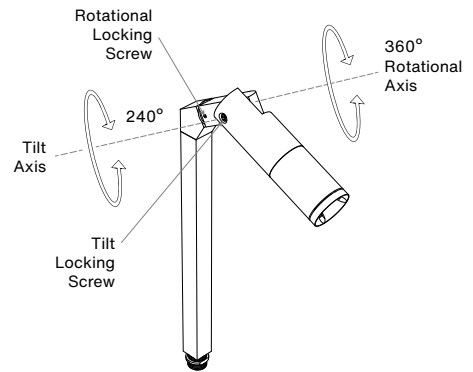
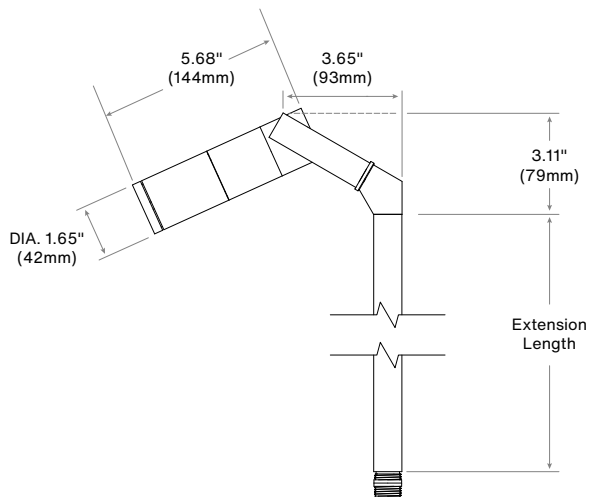


ZPL11-OR1SA
Single - 12" Extension

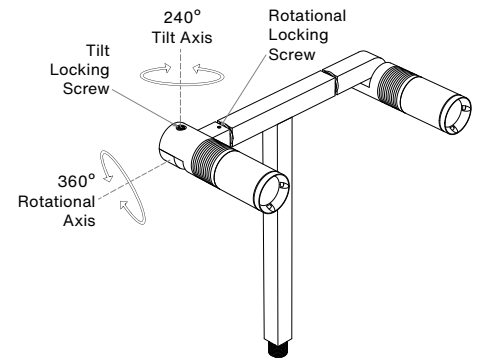
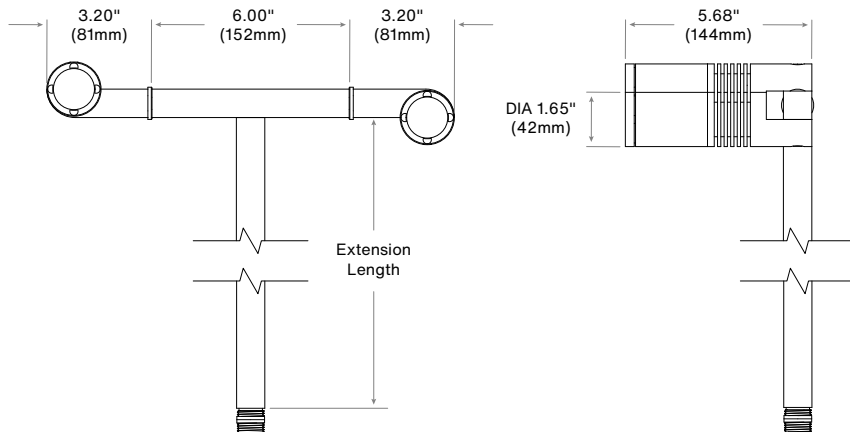


ZPL11-OR2FA
Double - 12" Extension

ZPL11-OR1SA

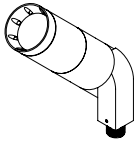


ZPL11-OR2FA



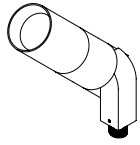
OPTIONS & ACCESSORIES

HOOD OPTIONS



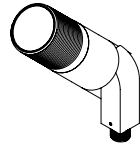
A HOOD

Versatile hood with 8 weep holes for water drainage. Regressed lens for glare control. Suggested for general use or when fixture is aimed in an up position.



B HOOD

Similar to A hood but without weep holes. Regressed lens for glare control. Suggested for downlighting and interior applications.



C HOOD

Designed for permanent use with a glare shield and innovative drainage design for water and debris. The machined threads enable ongoing glare shield adjustment, without impact to the paint surface.

OPTIONAL GLARE SHIELD

For use with A & B Hood, fastened with Set Screw



GSA
(angle)



GSL
(long)



GSS
(short)



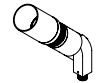
For use with C Hood fastened with Locking Ring



CGSA
(angle)



CGSL
(long)



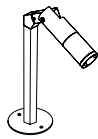
CGSS
(short)



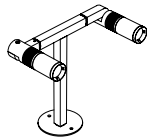
MOUNTING ACCESSORIES

Go to [Accessories](#) for additional options and full specifications.

Canopy Mount:



Fixture On CM5



Double On CM5



CM1



CM3

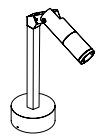


CM5

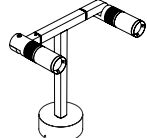


CM5-2

Surface Mount Box:



Fixture On CB5.5



Double On CB5.5



CMLJ

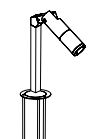


CB4.0

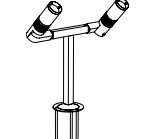


CB5.5

Ground Mount:



Fixture On MH02-12



Double On MH02-12



MH02-06



MH02-12



JB-1



MHCS

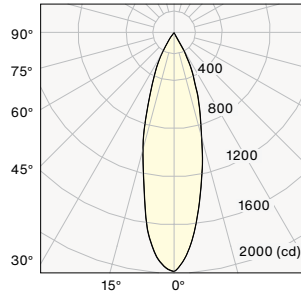
Ready-made eligible configurations ship in 2 to 4 weeks.

Notes:



PHOTOMETRY & ENERGY DATA
ZPL11 (Narrow)

Input Power	8.1W
Color Temperature (CCT)	3000K
Color Rendering Index (Ra)	80
Beam Angle	28.7°
Max. Candlepower	1964cd
Delivered Lumens	636lm
Efficacy	78lm/W

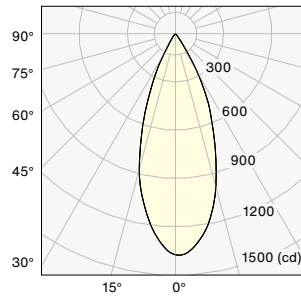
Polar Graph - Intensity

Cone of Light - Illuminance

Center Beam (fc)	Beam Diameter	Distance
491	1.0'	2.0'
123	2.0'	4.0'
55	3.0'	6.0'
31	4.0'	8.0'
20	5.0'	10.0'

1/2 Beam Angle: 28.7°

ZPL11 (Medium)

Input Power	8.1W
Color Temperature (CCT)	3000K
Color Rendering Index (Ra)	80
Beam Angle	39.2°
Max. Candlepower	1383cd
Delivered Lumens	632lm
Efficacy	78lm/W

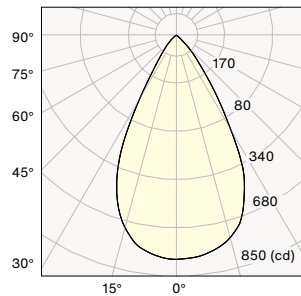
Polar Graph - Intensity

Cone of Light - Illuminance

Center Beam (fc)	Beam Diameter	Distance
346	1.4'	2.0'
86	2.9'	4.0'
38	4.3'	6.0'
22	5.7'	8.0'
14	7.1'	10.0'

1/2 Beam Angle: 39.2°

ZPL11 (Wide)

Input Power	8.1W
Color Temperature (CCT)	3000K
Color Rendering Index (Ra)	80
Beam Angle	56.9°
Max. Candlepower	811cd
Delivered Lumens	675lm
Efficacy	83lm/W

Polar Graph - Intensity

Cone of Light - Illuminance

Center Beam (fc)	Beam Diameter	Distance
203	2.2'	2.0'
135	4.3'	4.0'
23	6.5'	6.0'
13	8.7'	8.0'
8	10.8'	10.0'

1/2 Beam Angle: 56.9°

WATTAGE MULTIPLIER

Wattage	Multiplier
5 Watt	0.67
7 Watt	1.00

CCT MULTIPLIER

Color Temp.	Multiplier
2700k	0.96
3000k	1.00
4000k	1.03