

ZPL16-I

(includes former PATH-1-16Li & PATH-2-16Li models)

PATH & BOLLARD | ZP16 Series | 2.25"

5 - 14W (400 - 1400LM) | 120-277V | HK LED, Amber



IP67



Single Round Line Voltage Path Light: ZPL16-IR1SA-ABL



Double Round Line Voltage Path Light: ZPL16-IR2SA-ABL

FEATURES

- Versatile directional 120-277V LED path light for commercial and large residential environments.
- 5W, 7W, 10W, 14W integrated HK LED delivering 450 to 1400 lumens per light. 2200 - 4000K CCT, including specialty Amber options.
- Wet Location Listed, IP67 Standard.
- Machined from solid aircraft grade (6061-T6), corrosion-resistant aluminum, then anodized and powder coated to create a highly durable, marine grade finish. Also available in solid brass or stainless steel.
- 240° vertical and 360° horizontal adjustment via locking swivel stem design.
- Modular components, field changeable LED optical beams, and lenses.
- Available with adjustable Angled, Long, and Short Glare Shields and ground, surface, and canopy mounting options.
- Single and double light mounting options at 12", 24", 30" or custom height.
- Every fixture tested end of line for water tightness and light quality.
- Readymade eligible configurations ship in 2 to 4 weeks, complete with selected accessories installed.

SPECIFICATIONS

Materials

Solid billet 6061-T6 corrosion resistant aluminum with 304 stainless steel hardware.

Finish

Aluminum materials are first anodized and then powder coated for a robust, marine grade finish. Stainless steel and brass models are provided with brushed surface.

Hood and Glare Shield

Weeping and Non-weeping Hood Styles. Set screw or threaded Angled, Short, or Long Glare Shields. (See page 4 for details).

Voltage

120 - 277V AC.

Wattage

5, 7, 10 or 14W HK LED delivering 400 - 1400 lumens per light.

Light Engine

Innovative HK LED Light module operates like a lamp and can be easily changed in the field. CRI 90 Standard. Available in CRI 80 or CRI 95 upon request. Standard CCT options are 2700K, 3000K, 3500K, 4000K. Specialty 2200K, 2400K, 2500K, and Amber options available. Consult factory for specialty LED specification details.

Driver/ Dimming

Onboard, Integrated LED Driver Phase Control @120V, 0-10V @120-277V.

Optics

Narrow (20°), Medium (33°), Wide (44°), and Extra Wide (57°) beam spread options available. Accepts up to 3 optical accessories (hexcel louver, optical lenses, dichroic color filters, etc.) Secured place with metal snap ring.

Mounting

Mounts using 1/2"-14 NPS male fitting compatible with all HK Lighting Group mounting devices. (See page 4 for details).

Listings

ETL Listed for Wet Location, IP67 Standard. RoHS Compliant.

ORDERING GUIDE

EXAMPLE: ZPL16-IR1SA-ABL-120V05W-27N-12-GSA-LVR-MHJB-06-BRZ

MODEL	PHYSICAL OPTIONS			MATERIAL /FINISH	POWER	LIGHT			EXTENSION					
ZPL16 ZP16 Series 2.25" Path Light Integrated HK LED				ABL Aluminum Black	VOLTAGE		WATTAGE PER LIGHT		CCT		OPTICS		LENGTH	
	IR1 Line Voltage, Round Single Light	S Standard F Finned	A A Style: Weeping B B Style: No Weep Holes C C Style: Threaded, Weeping	ABR Aluminum Bronze	120V 120V (Phase Control)	05W 5 Watts (400lm) 07W 7 Watts (700lm) 10W 10 Watts (1000lm) 14W 14 Watts (14000lm) SPW Specialty ²	22 2200K 24 2400K 25 2500K 27 2700K 30 3000K 35 3500K 40 4000K AM Amber ²	N Narrow (20°) M Medium (33°) W Wide (44°) E Extra Wide (57°) CC Custom Optic	12 12" 24 24" 30 30" CC Custom					
	IR2 Line Voltage, Round Double Light			AWH Aluminum White AAC Aluminum Anodized Clear ¹ NBR Natural Brass ¹ NCU Natural Copper ¹ NSS Natural Stainless Steel ¹ CCC Custom Finish ¹	UNIV 120V-277V (0-10V)									

Readymade eligible configurations ship in 2 to 4 weeks.

¹ Consult factory for specialty finish quoting and lead times.

² For Specialty AM (Amber LED), select SPW (Specialty) for Wattage. Consult factory for LED technical details before Specification or Order.

OPTIONAL INSTALLED ACCESSORIES

GLARE SHIELD	OPTIC	MOUNTING (Most common listed, see Page 4 for additional options)
GSA A/B Glare Shield Angled GSL A/B Glare Shield Long GSS A/B Glare Shield Short CGSA C Glare Shield Angled CGSL C Glare Shield Long CGSS C Glare Shield Short	LVR Hexcel Louver OSL Overall Spread Lens LSL Linear Spread Lens SOL Solite Soft Focus DCF Dichroic Filter	GROUND MOUNT MHJB-06-BRZ 6" Stainless Steel 3-Prong Spike (12V) Bronze MHJB-12-BRZ 12" Stainless Steel 3-Prong Spike (12V) Bronze JB-1 Brass In-ground Junction Box CANOPY MOUNT CM1-XXX 3.75" Square Canopy Plate CM3-XXX 4.75" Square Canopy Plate CM5-XXX 5" Round Canopy Plate CM5-2-XXX 5" Round Canopy Plate - Double SURFACE MOUNT CMLJ-XXX 2.7" Round Surface Box CB4.0-XXX 4" Round Surface Box CB5.5-XXX 5.5" Round Surface Box

ADDITIONAL ACCESSORIES (Not installed at time of order)

GLARE SHIELD ACCESSORIES	OPTIC ACCESSORIES
GSL-16-XXX A/B Glare Shield Long GSA-16-XXX A/B Glare Shield Angled GSS-16-XXX A/B Glare Shield Short CGSL-16-XXX C Glare Shield Long CGSA-16-XXX C Glare Shield Angled CGSS-16-XXX C Glare Shield Short	LVR-16 Hexcel Louver OSL-16 Overall Spread Lens LSL-16 Linear Spread Lens SOL-16 Solite Soft Focus DCF-16 Dichroic Filter OPK-16 Optic Kit - Narrow, Medium, Wide

- Consult Accessory Spec Sheet for desired option code.
- XXX represents color option.
- Readymade options available in ABL and ABR only unless noted by the part code above.

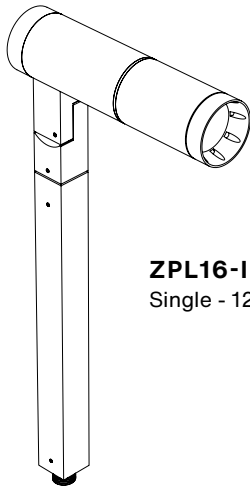
OUTDOOR MAGNETIC TRANSFORMERS (120V input/12VAC Output)

TRANSFORMERS (Go to [Accessories](#) for detailed specification)

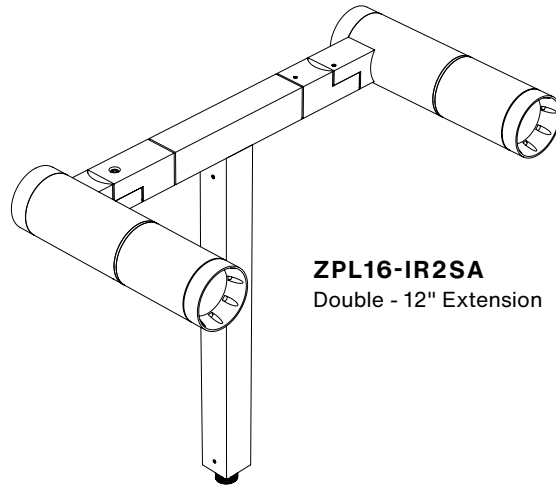
EXAMPLE: TXM-40-277

MODEL	WATTAGE (VA)	PRIMARY VOLTAGE (VAC)
TXM Compact, damp location magnetic transformer 12VAC Output MLV Dimming	20, 40, 60, 100, 150, 300	120, 277
TXM Stainless steel, wet location outdoor magnetic transformer with integrated light sensor Multitap 12VAC Output MLV Dimming	300	OTR-SS (120V Only)
TXS Stainless steel, wet location outdoor magnetic transformer Multitap 12VAC Output MLV Dimming	150, 300, 600	SS (120V Only)
IGT In-grade outdoor magnetic transformer 12VAC Output MLV Dimming	50 (120V Only), 100, 300, 600	120, 277
TXE In-fixture or near mounted electronic transformer 12VAC Output ELV Dimming Enclosure by others	60	120, 230, 277

PRODUCT DRAWINGS

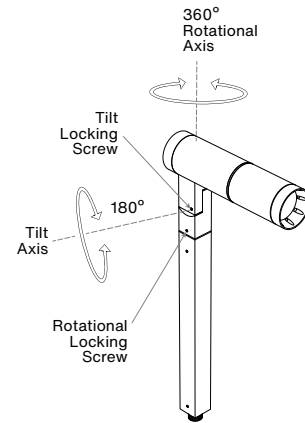
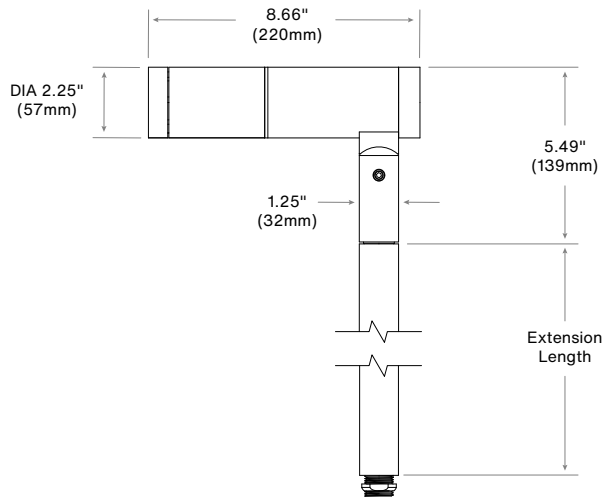


ZPL16-IR1SA
Single - 12" Extension

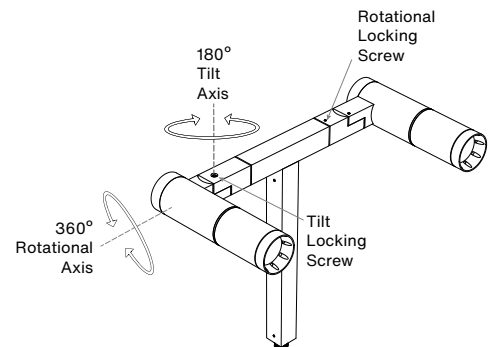
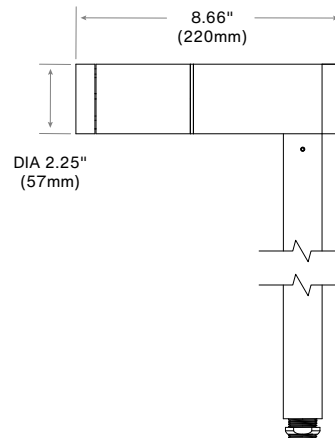
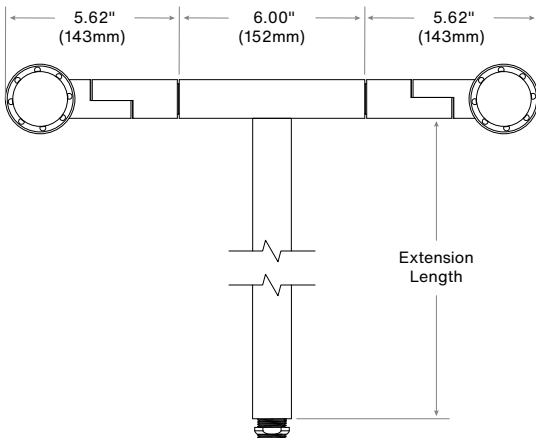


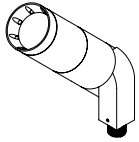
ZPL16-IR2SA
Double - 12" Extension

ZPL16-IR1SA

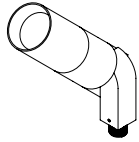


ZPL16-IR2SA

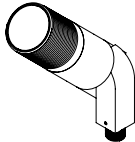


OPTIONS & ACCESSORIES
HOOD OPTIONS

A-HOOD

Versatile hood with 8 weep holes for water drainage. Regressed lens for glare control. Suggested for general use or when fixture is aimed in an up position.


B-HOOD

Similar to A hood but without weep holes. Regressed lens for glare control. Used in an interior or down light application.


C-HOOD

Flush hood with machined threading on the outside for attachment of C-style glare shield, cleverly designed with hidden drainage channels.

OPTIONAL GLARE SHIELD

For use with A & B Hood,
fastened with Set Screw


GSA
(angle)

GSL
(long)

GSS
(short)


For use with C Hood
fastened with Locking Ring

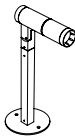
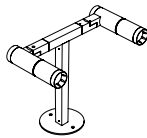

CGSA
(angle)

CGSL
(long)

CGSS
(short)

MOUNTING ACCESSORIES

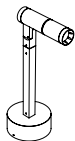
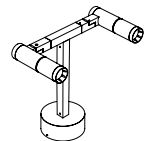
Go to [Accessories](#) for additional options and full specifications.

Canopy Mount:

Fixture On CM5

Double On CM5

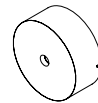
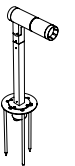
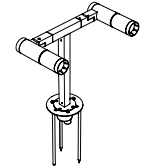
CM1

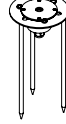
CM3

CM5

CM5-2
Surface Mount Box:

Fixture On CB5.5

Double On CB5.5

CMLJ

CB4.0

CB5.5
Ground Mount:

Fixture On MHJB-12

Double On MHJB-12

MHJB-06

MHJB-12

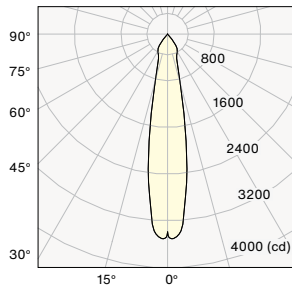
JB-1

Ready-made eligible configurations ship in 2 to 4 weeks.

Notes:


PHOTOMETRY & ENERGY DATA
ZPL16-I (Narrow)

Input Power	9.5W
Color Temperature (CCT)	3000K
Color Rendering Index (Ra)	83
Beam Angle	20.5°
Max. Candlepower	3507cd
Delivered Lumens	864lm
Efficacy	91lm/W

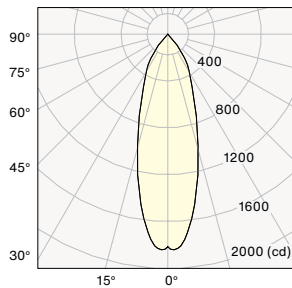
Polar Graph - Intensity

Cone of Light - Illuminance

Center Beam (fc)	Beam Diameter	Distance
877	0.7'	2.0'
219	1.4'	4.0'
97	2.2'	6.0'
55	2.9'	8.0'
35	3.6'	10.0'

1/2 Beam Angle: 20.5°

ZPL16-I (Medium)

Input Power	9.5W
Color Temperature (CCT)	3000K
Color Rendering Index (Ra)	83
Beam Angle	32.5°
Max. Candlepower	1842cd
Delivered Lumens	863lm
Efficacy	91lm/W

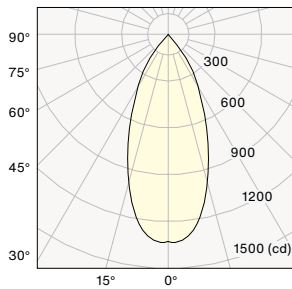
Polar Graph - Intensity

Cone of Light - Illuminance

Center Beam (fc)	Beam Diameter	Distance
460	1.2'	2.0'
115	2.3'	4.0'
51	3.5'	6.0'
29	4.6'	8.0'
18	5.8'	10.0'

1/2 Beam Angle: 32.5°

ZPL16-I (Wide)

Input Power	9.5W
Color Temperature (CCT)	3000K
Color Rendering Index (Ra)	83
Beam Angle	44.1°
Max. Candlepower	1332cd
Delivered Lumens	850lm
Efficacy	89lm/W

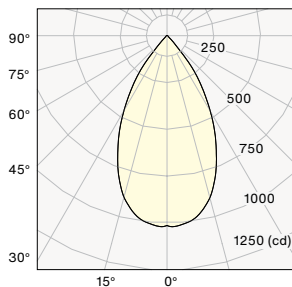
Polar Graph - Intensity

Cone of Light - Illuminance

Center Beam (fc)	Beam Diameter	Distance
333	1.6'	2.0'
83	3.2'	4.0'
37	4.9'	6.0'
21	6.5'	8.0'
13	8.1'	10.0'

1/2 Beam Angle: 44.1°

ZPL16-I (Extra Wide)

Input Power	9.5W
Color Temperature (CCT)	3000K
Color Rendering Index (Ra)	83
Beam Angle	56.9°
Max. Candlepower	1019cd
Delivered Lumens	876lm
Efficacy	92lm/W

Polar Graph - Intensity

Cone of Light - Illuminance

Center Beam (fc)	Beam Diameter	Distance
255	2.3'	2.0'
64	4.6'	4.0'
28	6.9'	6.0'
16	9.2'	8.0'
10	11.5'	10.0'

1/2 Beam Angle: 56.9°

WATTAGE MULTIPLIER

Wattage	Multiplier
5 Watt	0.45
7 Watt	0.80
10 Watt	1.14
14 Watt	1.56
AMBER 10W	0.73

CCT MULTIPLIER

Color Temp.	Multiplier
2700k	0.97
3000k	1.00
4000k	1.05