

# ZPL16

(includes former PATH-1-16L & PATH-2-16L models)

PATH & BOLLARD | ZP16 Series | 2.25"

5 - 10W (500 - 900lm) | 12V | HK LED, Amber



IP67



Standard Low Voltage Single Path Light: ZPL16-0R1SA-ABL



Finned Low Voltage Double Path Light: ZPL16-0R2FA-ABL

## FEATURES

- Versatile directional 12V LED path light for residential and commercial environments.
- 5W, 7W, 10W integrated HK LED delivering 450 to 900 lumens per light. 2200 - 4000K CCT, including specialty Amber options.
- Wet Location Listed, IP67 Standard.
- Machined from solid aircraft grade (6061-T6), corrosion-resistant aluminum, then anodized and powder coated to create a highly durable, marine grade finish. Also available in solid brass or stainless steel.
- 240° vertical and 360° horizontal adjustment via locking swivel stem design.
- Modular components, field changeable LED optical beams, and lenses.
- Available with adjustable Angled, Long, and Short Glare Shields and ground, surface, and canopy mounting options.
- Single and double light mounting options at 12", 24", 30" or custom height.
- Every fixture tested end of line for water tightness and light quality.
- Readymade eligible configurations ship in 2 to 4 weeks, complete with selected accessories installed.

## SPECIFICATIONS

<p><b>Materials</b> Solid billet 6061-T6 corrosion resistant aluminum with 304 stainless steel hardware.</p>	<p><b>Voltage</b> 12V AC/DC. Requires remote step down transformer.</p>	<p><b>Dimming</b> MLV or ELV Phase Control dimming.</p>
<p><b>Finish</b> Aluminum materials are first anodized and then powder coated for a robust, marine grade finish. Stainless steel and brass models are provided with brushed surface.</p>	<p><b>Wattage</b> 5,7 or 10W HK LED delivering 500 to 900 lumens per light.</p>	<p><b>Optics</b> Narrow (20°), Medium (33°), Wide (44°), and Extra Wide (57°) beam spread options available. Accepts up to 3 optical accessories (hexcel louver, optical lenses, dichroic color filters, etc.) Secured place with metal snap ring.</p>
<p><b>Hood and Glare Shield</b> 3 available hood options to suit any application. 3 optional glare shields (short, long, angled) to complement each hood choice. <i>(See page 4 for details).</i></p>	<p><b>Light Engine</b> Innovative HK LED Light module operates like a lamp and can be easily changed in the field. CRI 90 Standard. Available in CRI 80 or CRI 95 upon request. Standard CCT options are 2700K, 3000K, 3500K, 4000K. Specialty 2200K, 2400K, 2500K, and Amber options available. Consult factory for specialty LED specification details.</p>	<p><b>Mounting</b> Mounts using 1/2"-14 NPS male fitting compatible with all HK Lighting Group mounting devices. <i>(See page 3 for details).</i></p>
		<p><b>Listings</b> ETL Listed for Wet Location, IP67 Standard. RoHS Compliant.</p>

## ORDERING GUIDE

EXAMPLE: ZPL16-0R1FA-ABL-012V07W-27N-12-GSA-LVR-MH02-12-BRZ

MODEL	PHYSICAL OPTIONS			MATERIAL /FINISH		POWER		LIGHT			EXTENSION	
<b>ZPL16</b> ZP16 Series 2.25" Path Light Integrated HK LED						<b>012V</b>						
	<b>OR1</b>	Low Voltage, Round Single Light	<b>S</b> Standard <b>F</b> Finned	<b>A</b> A Style: Weeping <b>B</b> B Style: No Weep Holes <b>C</b> C Style: Threaded, Weeping	<b>ABL</b> Aluminum Black <b>ABR</b> Aluminum Bronze <b>AWH</b> Aluminum White <b>AAC</b> Aluminum Anodized Clear <sup>1</sup> <b>NBR</b> Natural Brass <sup>1</sup> <b>NCU</b> Natural Copper <sup>1</sup> <b>NSS</b> Natural Stainless Steel <sup>1</sup> <b>CCC</b> Custom Finish <sup>1</sup>	<b>VOLTAGE</b> 012V 12V AC	<b>WATTAGE PER LIGHT</b> <b>05W</b> 5 Watts (450lm) <b>07W</b> 7 Watts (650lm) <b>10W</b> 10 Watts (900lm) <b>SPW</b> Specialty <sup>2</sup>	<b>CCT</b> <b>22</b> 2200K <b>24</b> 2400K <b>25</b> 2500K <b>27</b> 2700K <b>30</b> 3000K <b>35</b> 3500K <b>40</b> 4000K <b>AM</b> Amber <sup>2</sup>	<b>OPTICS</b> <b>N</b> Narrow (20°) <b>M</b> Medium (33°) <b>W</b> Wide (44°) <b>E</b> Extra Wide (57°) <b>CC</b> Custom Optic	<b>LENGTH</b> <b>12</b> 12" <b>24</b> 24" <b>30</b> 30" <b>CC</b> Custom		
<p><span style="background-color: #e0f0ff; border: 1px solid #000; padding: 2px;"> </span> Readymade eligible configurations ship in 2 to 4 weeks</p> <p><sup>1</sup> For premium materials, please consult the factory for current lead times and pricing. A minimum order quantity of 10 units is required.</p> <p><sup>2</sup> For Speciality AM (Amber LED), select SPW (Specialty) for Wattage. Consult factory for LED technical details before Specification or Order.</p>												

## OPTIONAL INSTALLED ACCESSORIES

### GLARE SHIELD

<b>GSA</b>	A/B Glare Shield Angled
<b>GSL</b>	A/B Glare Shield Long
<b>GSS</b>	A/B Glare Shield Short
<b>CGSA</b>	C Glare Shield Angled
<b>CGSL</b>	C Glare Shield Long
<b>CGSS</b>	C Glare Shield Short

### OPTIC

<b>LVR</b>	Hexcel Louver
<b>OSL</b>	Overall Spread Lens
<b>LSL</b>	Linear Spread Lens
<b>SOL</b>	Solite Soft Focus
<b>DCF</b>	Dichroic Filter

### MOUNTING (Most common listed, see Page 4 for additional options)

<b>GROUND MOUNT</b>	
<b>MH02-06-BRZ</b>	6" Stainless Steel 3-Prong Spike (12V) Bronze
<b>MH02-12-BRZ</b>	12" Stainless Steel 3-Prong Spike (12V) Bronze
<b>JB-1</b>	Brass In-ground Junction Box
<b>CANOPY MOUNT</b>	
<b>CM1-XXX</b>	3.75" Square Canopy Plate
<b>CM3-XXX</b>	4.75" Square Canopy Plate
<b>CM5-XXX</b>	5" Round Canopy Plate
<b>CM5-2-XXX</b>	5" Round Canopy Plate - Double
<b>SURFACE MOUNT</b>	
<b>CMLJ-XXX</b>	2.7" Round Surface Box
<b>CB4.0-XXX</b>	4" Round Surface Box
<b>CB5.5-XXX</b>	5.5" Round Surface Box

## ADDITIONAL ACCESSORIES (Not installed at time of order)

### GLARE SHIELD ACCESSORIES

<b>GSL-16-XXX</b>	A/B Glare Shield Long
<b>GSA-16-XXX</b>	A/B Glare Shield Angled
<b>GSS-16-XXX</b>	A/B Glare Shield Short
<b>CGSL-16-XXX</b>	C Glare Shield Long
<b>CGSA-16-XXX</b>	C Glare Shield Angled
<b>CGSS-16-XXX</b>	C Glare Shield Short

### OPTIC ACCESSORIES

<b>LVR-16</b>	Hexcel Louver
<b>OSL-16</b>	Overall Spread Lens
<b>LSL-16</b>	Linear Spread Lens
<b>SOL-16</b>	Solite Soft Focus
<b>DCF-16</b>	Dichroic Filter
<b>OPK-16</b>	Optic Kit - Narrow, Medium, Wide

- Consult Accessory Spec Sheet for desired option code.
- XXX represents color option.
- Readymade options available in ABL and ABR only unless noted by the part code above.

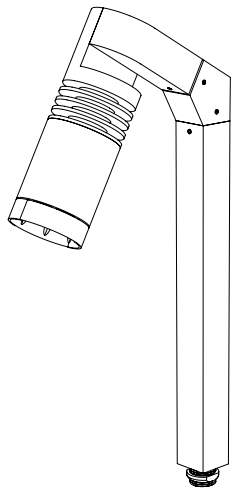
## OUTDOOR MAGNETIC TRANSFORMERS (120V input/12VAC Output)

### TRANSFORMERS (Go to [Accessories](#) for detailed specification)

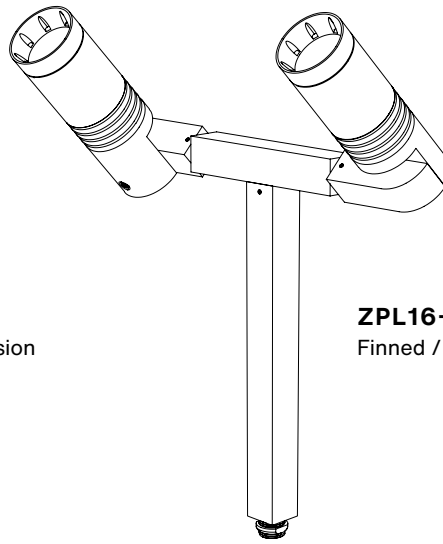
EXAMPLE: **TXS-150-SS**

MODEL		WATTAGE (VA)				PRIMARY VOLTAGE (VAC)		
<b>TXM</b>	Stainless steel, wet location outdoor magnetic transformer Multitap   12-15VAC Output   MLV Dimming	150	300			<b>OTR-SS</b> (120V Only)		
<b>TXS</b>	Stainless steel, wet location outdoor magnetic transformer Multitap   12VAC Output   MLV Dimming	150	300	600		<b>SS</b> (120V Only)		
<b>TXM</b>	Compact, damp location magnetic transformer 12VAC Output   MLV Dimming	20	40	60	100	120		
<b>IGT</b>	In ground outdoor magnetic transformer 12VAC Output   MLV Dimming	50 (120V Only)			100	300	600	120 277
<b>TXE</b>	In-fixture or near mounted electronic transformer 12VAC Output   ELV Dimming   Enclosure by others	60				120	277	

**PRODUCT DRAWINGS**

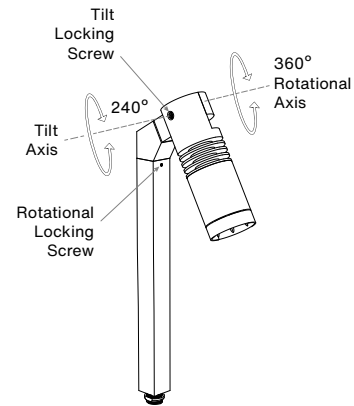
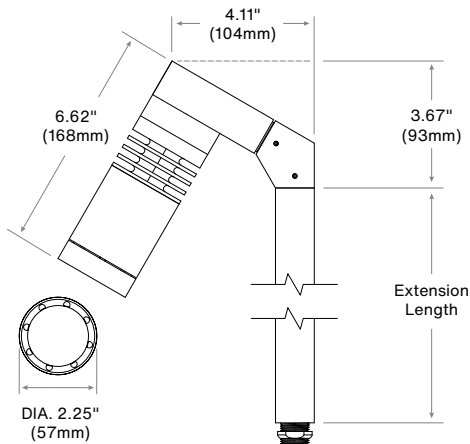


**ZPL16-OR1FA**  
Finned - 12" Extension

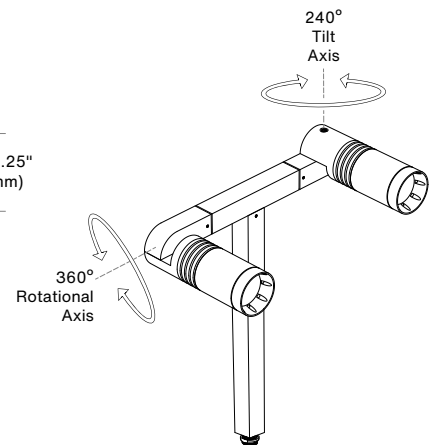
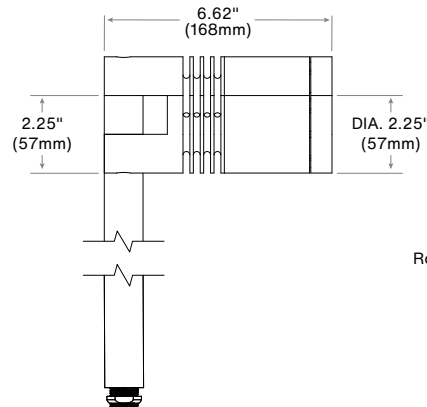
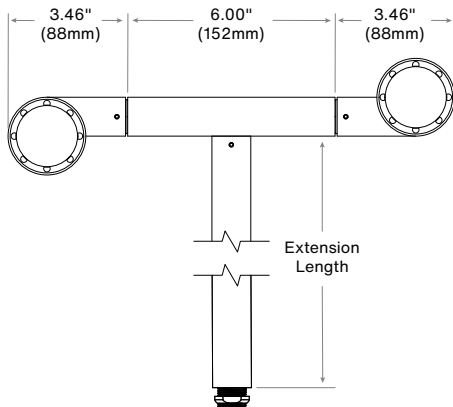


**ZPL16-OR2FA**  
Finned / Double - 12" Extension

**ZPL16-OR1FA**

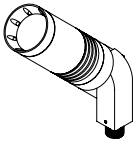


**ZPL16-OR2FA**



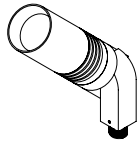
## OPTIONS & ACCESSORIES

### HOOD OPTIONS



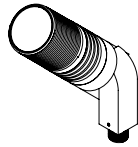
#### A HOOD

Versatile hood with 8 weep holes for water drainage. Regressed lens for glare control. Suggested for general use or when fixture is aimed in an up position.



#### B HOOD

Similar to A hood but without weep holes. Regressed lens for glare control. Suggested for downlighting and interior applications.



#### C HOOD

Designed for permanent use with a glare shield and innovative drainage design for water and debris. The machined threads enable ongoing glare shield adjustment, without impact to the paint surface.

### OPTIONAL GLARE SHIELD

For use with A & B Hood, fastened with Set Screw



**GSA**  
(angle)



**GSL**  
(long)



**GSS**  
(short)



For use with C Hood fastened with Locking Ring



**CGSA**  
(angle)



**CGSL**  
(long)



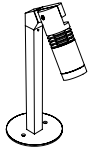
**CGSS**  
(short)



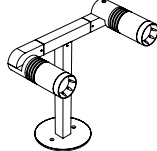
### MOUNTING ACCESSORIES

Go to [Accessories](#) for options and full specifications.

#### Canopy Mount:



Fixture On CM5



Double On CM5



**CM1**



**CM3**

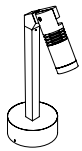


**CM5**

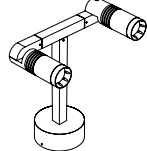


**CM5-2**

#### Surface Mount Box:



Fixture On CB5.5



Double On CB5.5



**CMLJ**

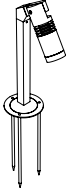


**CB4.0**

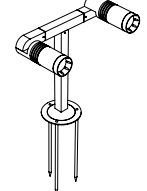


**CB5.5**

#### Ground Mount:



Fixture On MH02-12



Double On MH02-12



**MH02-06**



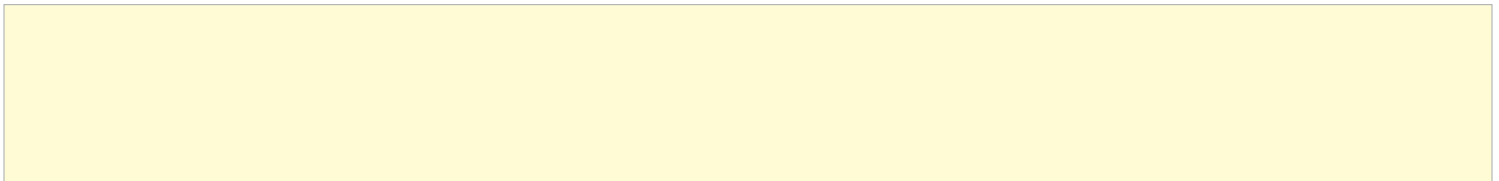
**MH02-12**



**JB-1**

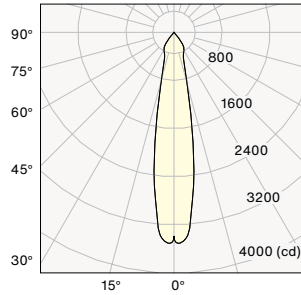
Readymade eligible configurations ship in 2 to 4 weeks.

#### Notes:



**PHOTOMETRY & ENERGY DATA**
**ZPL16 (Narrow)**

Input Power	9.5W
Color Temperature (CCT)	3000K
Color Rendering Index (Ra)	83
Beam Angle	20.5°
Max. Candlepower	3507cd
Delivered Lumens	864lm
Efficacy	91lm/W

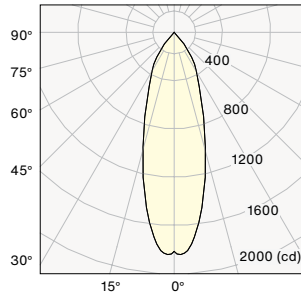
**Polar Graph - Intensity**

**Cone of Light - Illuminance**

Center Beam (fc)	Beam Diameter	Distance
877	0.7'	2.0'
219	1.4'	4.0'
97	2.2'	6.0'
55	2.9'	8.0'
35	3.6'	10.0'

1/2 Beam Angle: 20.5°

**ZPL16 (Medium)**

Input Power	9.5W
Color Temperature (CCT)	3000K
Color Rendering Index (Ra)	83
Beam Angle	32.5°
Max. Candlepower	1842cd
Delivered Lumens	863lm
Efficacy	91lm/W

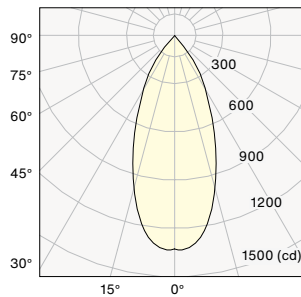
**Polar Graph - Intensity**

**Cone of Light - Illuminance**

Center Beam (fc)	Beam Diameter	Distance
460	1.2'	2.0'
115	2.3'	4.0'
51	3.5'	6.0'
29	4.6'	8.0'
18	5.8'	10.0'

1/2 Beam Angle: 32.5°

**ZPL16 (Wide)**

Input Power	9.5W
Color Temperature (CCT)	3000K
Color Rendering Index (Ra)	83
Beam Angle	44.1°
Max. Candlepower	1332cd
Delivered Lumens	850lm
Efficacy	89lm/W

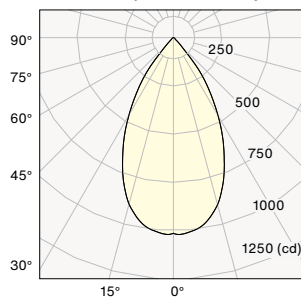
**Polar Graph - Intensity**

**Cone of Light - Illuminance**

Center Beam (fc)	Beam Diameter	Distance
333	1.6'	2.0'
83	3.2'	4.0'
37	4.9'	6.0'
21	6.5'	8.0'
13	8.1'	10.0'

1/2 Beam Angle: 44.1°

**ZPL16 (Extra Wide)**

Input Power	9.5W
Color Temperature (CCT)	3000K
Color Rendering Index (Ra)	83
Beam Angle	56.9°
Max. Candlepower	1019cd
Delivered Lumens	876lm
Efficacy	92lm/W

**Polar Graph - Intensity**

**Cone of Light - Illuminance**

Center Beam (fc)	Beam Diameter	Distance
255	2.3'	2.0'
64	4.6'	4.0'
28	6.9'	6.0'
16	9.2'	8.0'
10	11.5'	10.0'

1/2 Beam Angle: 56.9°

**WATTAGE MULTIPLIER**

Wattage	Multiplier
5 Watt	0.53
7 Watt	0.77
10 Watt	1.00

**CCT MULTIPLIER**

Color Temp.	Multiplier
2700k	0.97
3000k	1.00
4000k	1.05