

# ZPLCM-I

(includes former CMBL-150i and CMBL150i-GFCI models)

PATH & BOLLARD | ZPLCM Series | 3.15"  
4 - 8W (100 - 200lm) | 120V | HK LED, Amber



Commercial Path Light: ZPLCM-IS1-ABL



Commercial Path Light with Power: ZPLCM-IP1-ABL

## FEATURES

- Rectangular 120V bollard-style commercial path light with directional light pattern and available onboard GFCI power receptacle and the ability to include USBA or USBC charging ports. Stands 18" high.
- 4W, 8W integrated HKLED delivering 200 - 400 lumens.
- Lighting is Wet Location Listed, IP67 standard. Power receptacle is Wet Location Listed, IP67 standard, when access cover is closed and receptacle is not in use.
- Extruded aircraft grade (6061-T6), corrosion-resistant aluminum, then anodized and powder coated to create a highly durable, marine grade finish.
- Every fixture tested end of line for water tightness and light quality.

## SPECIFICATIONS

### Materials

Extrusion of 6061-T6 corrosion resistant aluminum with 304 stainless steel hardware.

### Finish

Aluminum materials are first anodized and then powder coated for a robust, marine grade finish.

### Voltage

120V AC with Integral LED driver.

### Wattage

4 or 8W HK LED delivering 100 to 200 lumens.

### Light Engine

Innovative HK LED light engine. CRI 90 Standard. Available in CRI 80 or CRI 95 upon request. Standard CCT options are 2700K, 3000K, 3500K, 4000K. Amber option available. Consult factory for specialty LED specification details.

### Driver/Dimming

Onboard, Integrated LED Driver. Non-dimmable.

### Optics

Includes Solite soft focus lens for broad and even light spread.

### Optional Power Receptacle

Available with built-in GFCI power receptacle that can be combined with USBA or USBC charging ports. This enables up to 2 power socket plug-ins and 2 USB plug-ins. GFCI cover is Wet Location Listed when cover is closed.

### Mounting

Use anchor bolts size 5/16" or 3/8" (by others, not included with fixture).

### Listings

ETL Listed for Wet Location, IP67 Standard. RoHS Compliant.

**ORDERING GUIDE**

EXAMPLE: ZPLCM-IS1-ABL-120V04W-27-18-GFI

MODEL	PHYSICAL OPTIONS	MATERIAL /FINISH	POWER	LIGHT	SIZE																																																													
<b>ZPLCM</b>			<b>120V</b>																																																															
ZPLCM Series Commercial Path Light Integrated HK LED Optional Power Receptacle	<table border="1"> <tr> <td><b>IS1</b></td> <td>Line Voltage, Single Light</td> </tr> <tr> <td><b>IP1</b></td> <td>Line Voltage, Single Light with Power</td> </tr> </table>	<b>IS1</b>	Line Voltage, Single Light	<b>IP1</b>	Line Voltage, Single Light with Power	<table border="1"> <tr> <td><b>ABL</b></td> <td>Aluminum Black</td> </tr> <tr> <td><b>ABR</b></td> <td>Aluminum Bronze</td> </tr> <tr> <td><b>AWH</b></td> <td>Aluminum White</td> </tr> <tr> <td><b>AAC</b></td> <td>Aluminum Anodized Clear<sup>1</sup></td> </tr> <tr> <td><b>CCC</b></td> <td>Custom Finish<sup>1</sup></td> </tr> </table>	<b>ABL</b>	Aluminum Black	<b>ABR</b>	Aluminum Bronze	<b>AWH</b>	Aluminum White	<b>AAC</b>	Aluminum Anodized Clear <sup>1</sup>	<b>CCC</b>	Custom Finish <sup>1</sup>	<table border="1"> <tr> <th colspan="2">VOLTAGE</th> <th colspan="2">LIGHT WATTAGE</th> </tr> <tr> <td><b>120V</b></td> <td>120V AC</td> <td><b>00W</b></td> <td>No Light</td> </tr> <tr> <td></td> <td></td> <td><b>04W</b></td> <td>4 Watts (100LM)</td> </tr> <tr> <td></td> <td></td> <td><b>08W</b></td> <td>8 Watts (200LM)</td> </tr> <tr> <td></td> <td></td> <td><b>SPW</b></td> <td>Specialty<sup>2</sup></td> </tr> </table>	VOLTAGE		LIGHT WATTAGE		<b>120V</b>	120V AC	<b>00W</b>	No Light			<b>04W</b>	4 Watts (100LM)			<b>08W</b>	8 Watts (200LM)			<b>SPW</b>	Specialty <sup>2</sup>	<table border="1"> <tr> <th colspan="2">CCT</th> <th colspan="2">HEIGHT</th> </tr> <tr> <td><b>27</b></td> <td>2700K</td> <td><b>18</b></td> <td>18"</td> </tr> <tr> <td><b>30</b></td> <td>3000K</td> <td><b>CC</b></td> <td>Custom</td> </tr> <tr> <td><b>35</b></td> <td>3500K</td> <td></td> <td></td> </tr> <tr> <td><b>40</b></td> <td>4000K</td> <td></td> <td></td> </tr> <tr> <td><b>AM</b></td> <td>Amber<sup>2</sup></td> <td></td> <td></td> </tr> <tr> <td><b>CC</b></td> <td>Custom LED</td> <td></td> <td></td> </tr> </table>	CCT		HEIGHT		<b>27</b>	2700K	<b>18</b>	18"	<b>30</b>	3000K	<b>CC</b>	Custom	<b>35</b>	3500K			<b>40</b>	4000K			<b>AM</b>	Amber <sup>2</sup>			<b>CC</b>	Custom LED		
<b>IS1</b>	Line Voltage, Single Light																																																																	
<b>IP1</b>	Line Voltage, Single Light with Power																																																																	
<b>ABL</b>	Aluminum Black																																																																	
<b>ABR</b>	Aluminum Bronze																																																																	
<b>AWH</b>	Aluminum White																																																																	
<b>AAC</b>	Aluminum Anodized Clear <sup>1</sup>																																																																	
<b>CCC</b>	Custom Finish <sup>1</sup>																																																																	
VOLTAGE		LIGHT WATTAGE																																																																
<b>120V</b>	120V AC	<b>00W</b>	No Light																																																															
		<b>04W</b>	4 Watts (100LM)																																																															
		<b>08W</b>	8 Watts (200LM)																																																															
		<b>SPW</b>	Specialty <sup>2</sup>																																																															
CCT		HEIGHT																																																																
<b>27</b>	2700K	<b>18</b>	18"																																																															
<b>30</b>	3000K	<b>CC</b>	Custom																																																															
<b>35</b>	3500K																																																																	
<b>40</b>	4000K																																																																	
<b>AM</b>	Amber <sup>2</sup>																																																																	
<b>CC</b>	Custom LED																																																																	

<sup>1</sup> Consult factory for specialty finish quoting and lead times.

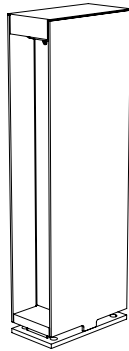
<sup>2</sup> For Specialty AM (Amber LED), select SPW (Specialty) for Wattage. Consult factory for LED technical details before Specification or Order.

**OPTIONAL INSTALLED ACCESSORIES**
**POWER OPTIONS**

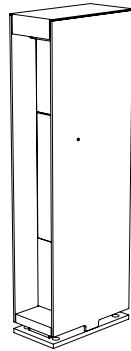
<b>GFI</b>	GFCI
<b>GFA</b>	GFCI w/USBA
<b>GFC</b>	GFCI w/USBC

**Notes:**

**PRODUCT DRAWINGS**

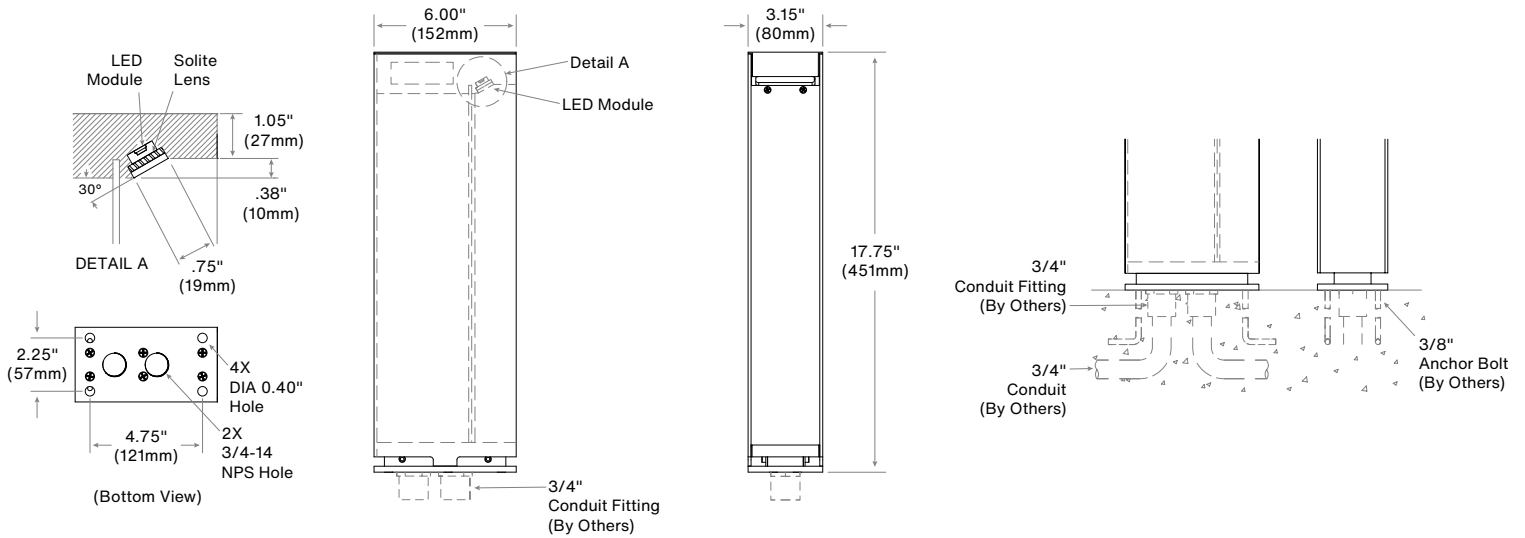


**ZPLCM-IS1**

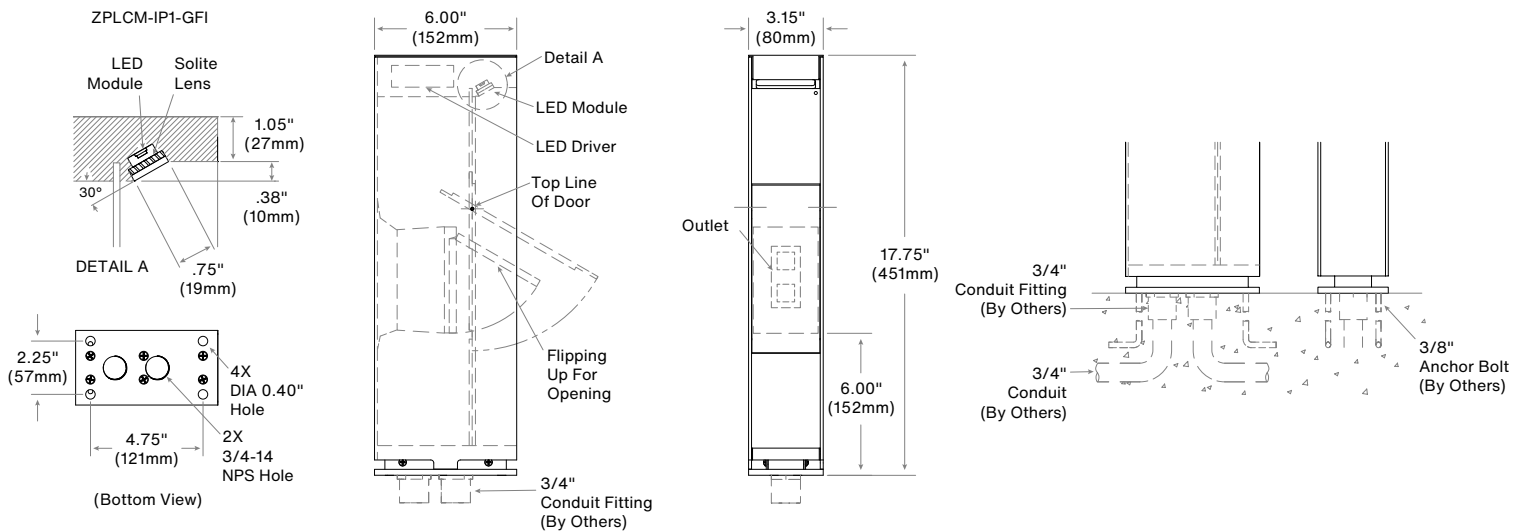


**ZPLCM-IP1**

**ZPLCM-IS1**

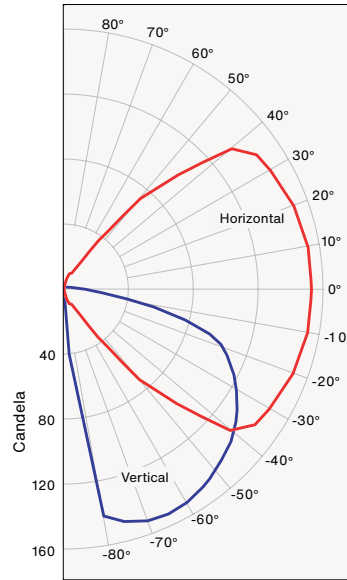
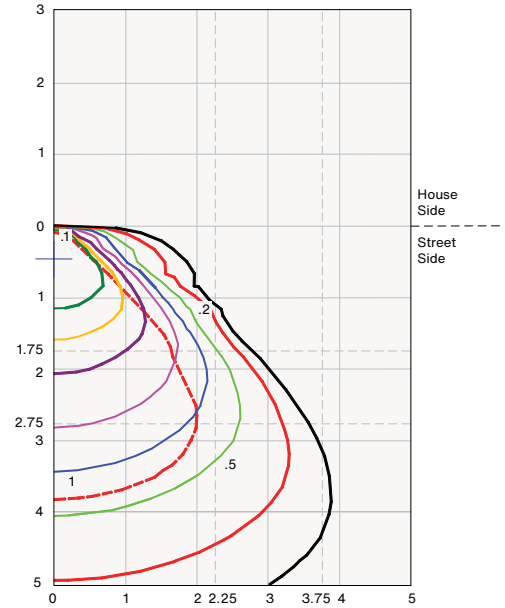


**ZPLCM-IP1**



**PHOTOMETRY & ENERGY DATA**
**ZPLCM-I**

Input Power	7.77W
Color Temperature (CCT)	2700K
Color Rendering Index (Ra)	85
Maximum Lumen Angle (vertical)	-65°
Maximum Lumen Angle (horizontal)	0°
Max. Candelpower	154cd
Delivered Lumens	178lm
Efficacy	23lm/W

**Polar Graph - Intensity**

**Isocandela Lines of Horizontal Illuminance**


Distance in Units of Mounting Height  
 Values Based on 1.4 Foot Mounting Height  
 1/2 Maximum Candela Trace Shown as Dashed Curve  
 (+) = Maximum Candela Point

**WATTAGE MULTIPLIER**

Wattage	Multiplier
4 Watt	0.50
8 Watt	1.00
AMBER 9 Watt	Consult Factory

**CCT MULTIPLIER**

Color Temp.	Multiplier
2700k	0.97
3000k	1.00
4000k	1.05
AMBER	Consult Factory