

ZPLLT

(includes former PATH-L-08L-SQ & PATH-T-08L-SQ models)

PATH & BOLLARD | ZPLLT Series | 1.13"

3W (125lm) | 12V | HK LED, Amber



IP67



Compact Modern L Style Path Light: ZPLLT-0S1-ABL



Compact Modern T Style Path Light: ZPLLT-0S2-ABL

FEATURES

- Compact modern 12V LED single or double L or T style path light. Perfect for residential pathways and general illumination.
- 3W integrated HKLED delivering 125 lumens of soft, pleasing light. 2700K - 4000K CCT, including Amber option.
- Wet Location Listed, IP67 standard.
- Machined from solid aircraft grade (6061-T6), corrosion-resistant aluminum, then anodized and powder coated to create a highly durable, marine grade finish. Also available in solid brass or stainless steel.
- 360° vertical and 360° horizontal adjustment via unique swivel stem design.
- Mounting height options at 12", 24", 30", and custom heights.
- Every fixture tested end of line for water tightness and light quality.
- Readymade eligible configurations ship in 2 to 4 weeks, complete with selected accessories installed.

SPECIFICATIONS

<p>Materials</p> <p>Solid billet 6061-T6 corrosion resistant aluminum with 304 stainless steel hardware. Available in 304/316 stainless steel or 360 brass upon request.</p> <p>Finish</p> <p>Aluminum materials are first anodized and then powder coated for a robust, marine grade finish. Stainless steel and brass models are provided with brushed surface.</p>	<p>Voltage</p> <p>12V AC/DC. Requires remote step down transformer.</p> <p>Wattage</p> <p>3W HK LED delivering 125 lumens.</p> <p>Dimming</p> <p>MLV or ELV Phase Control dimming.</p> <p>Light Engine</p> <p>Innovative HK LED Light engine. CRI 90 Standard. Standard CCT options are 2700K, 3000K, 4000K. Specialty color temperature including Amber options available. Consult factory for specialty LED specification details.</p>	<p>Optics</p> <p>Includes Solite Soft Focus lens for smooth, even distribution of light.</p> <p>Mounting</p> <p>Mounts using 1/2"-14 NPS male fitting compatible with all HK Lighting Group mounting devices. (See page 4 for details).</p> <p>Listings</p> <p>ETL Listed for Wet Location, IP67 Standard. RoHS Compliant.</p>
---	--	---

ORDERING GUIDE

EXAMPLE: ZPLLT-0S1-ABL-012V03W-30-24-MH02-12-BRZ

MODEL	PHYSICAL OPTIONS	MATERIAL /FINISH	POWER	LIGHT	EXTENSION SIZE	
ZPLLT			012V			
ZPLLT Series (L) or (T) Style Compact Path Light Integrated HK LED	TYPE	ABL Aluminum Black	VOLTAGE	WATTAGE PER LIGHT	CCT	LENGTH
	OS1 Low Voltage, (L) Style Single Light	ABR Aluminum Bronze	012V 12V AC	03W 3 Watts	27 2700K	12 12"
	OS2 Low Voltage, (T) Style Double Light	AWH Aluminum White		SPW Specialty ²	30 3000K	24 24" ³
		AAC Aluminum Anodized Clear ¹			35 3500K	30 30" ³
		NBR Natural Brass ¹			40 4000K	XX Custom ⁴
		NCU Natural Copper ¹			AM Amber ²	
		NSS Natural Stainless Steel ¹			CC Custom LED	
		CCC Custom Finish ¹				

Readymade eligible configurations ship in 2 to 4 weeks.

¹ Consult factory for specialty finish quoting and lead times.

² For Speciality AM (Amber LED), select SPW (Specialty) for Wattage. Consult factory for LED technical details before Specification or Order.

³ Recommend Stainless Steel 3-prong ground mount when using 24" and 30" extension lengths.

⁴ Where XX represents the desired extension length in inches.

OPTIONAL INSTALLED ACCESSORIES

MOUNTING (Most common listed, see Page 4 for additional options)

GROUND MOUNT	
MHCS-06	6" PVC Single Prong Spike (12V) ³
MHCS-12	12" PVC Single Prong Spike (12V) ³
MH02-06-BRZ	6" Stainless Steel 3-Prong Spike (12V) Bronze
MH02-12-BRZ	12" Stainless Steel 3-Prong Spike (12V) Bronze
JB-1	Brass In-ground Junction Box
CANOPY MOUNT	
CM1-XXX	3.75" Square Canopy Plate
CM3-XXX	4.75" Square Canopy Plate
CM5-XXX	5" Round Canopy Plate
CM5-2-XXX	5" Round Canopy Plate - Double
SURFACE MOUNT	
CMLJ-XXX	2.7" Round Surface Box
CB4.0-XXX	4" Round Surface Box
CB5.5-XXX	5.5" Round Surface Box

• Consult Accessory Spec Sheet for desired option code.

• XXX represents color option.

• Readymade options available in ABL and ABR only unless noted by the part code.

OUTDOOR MAGNETIC TRANSFORMERS (120V input/12VAC Output)

TRANSFORMERS (Go to [Accessories](#) for detailed specification)

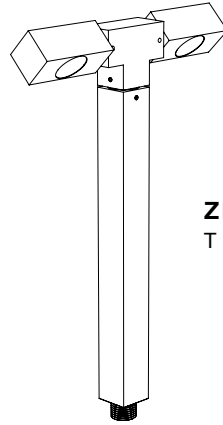
EXAMPLE: **TXS-150-SS**

MODEL		WATTAGE (VA)						PRIMARY VOLTAGE (VAC)	
TXM	Stainless steel, wet location outdoor magnetic transformer Multitap 12VAC Output MLV Dimming	300						OTR-SS (120V Only)	
TXS	Stainless steel, wet location outdoor magnetic transformer Multitap 12VAC Output MLV Dimming	150	300	600				SS (120V Only)	
TXM	Compact, damp location magnetic transformer 12VAC Output MLV Dimming	20	40	60	100	150	300	120	277
IGT	In ground outdoor magnetic transformer 12VAC Output MLV Dimming	50 (120V Only)			100	300	600	120	277
TXE	In-fixture or near mounted electronic transformer 12VAC Output ELV Dimming Enclosure by others	60						120	277

PRODUCT DRAWINGS

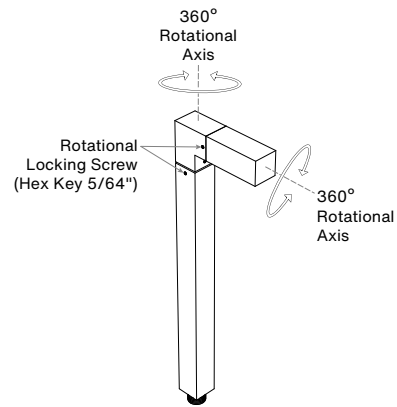
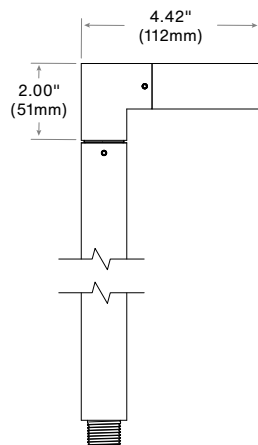
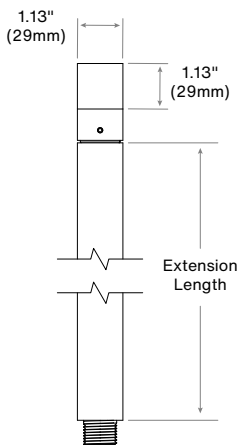


ZPPLT-0S1
L Style - 12" Extension

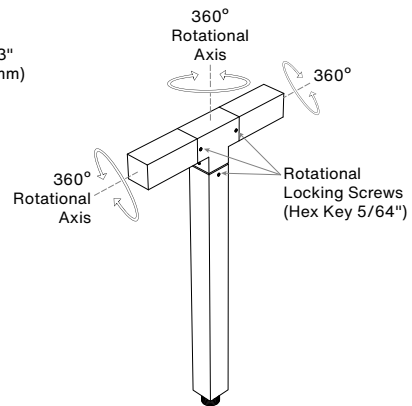
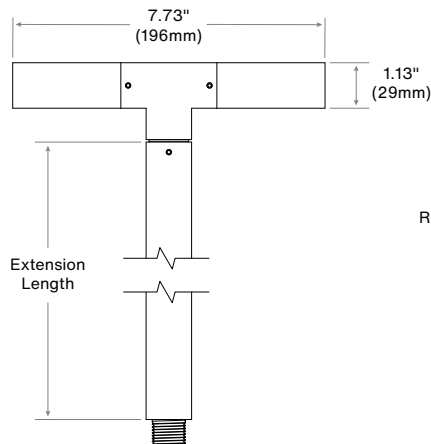
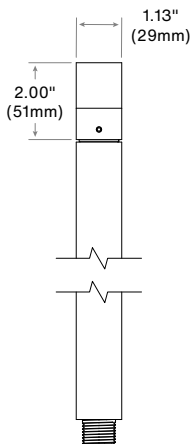


ZPPLT-0S2
T Style - 12" Extension

ZPPLT-0S1



ZPPLT-0S2

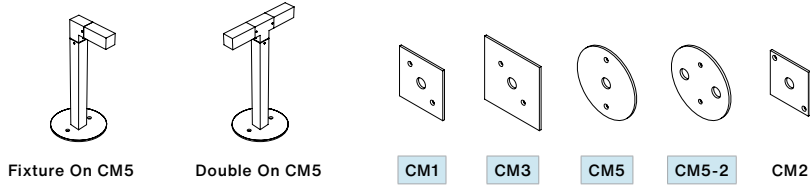


OPTIONS & ACCESSORIES

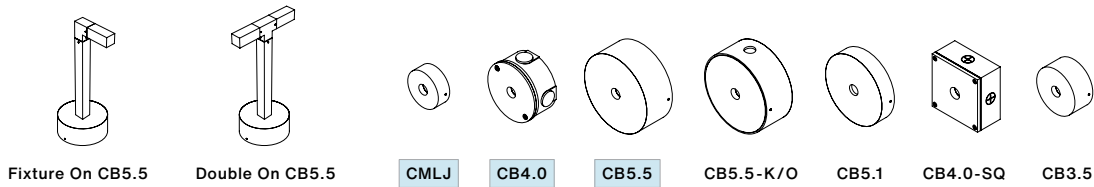
MOUNTING ACCESSORIES

Go to [Accessories](#) for options and full specifications.

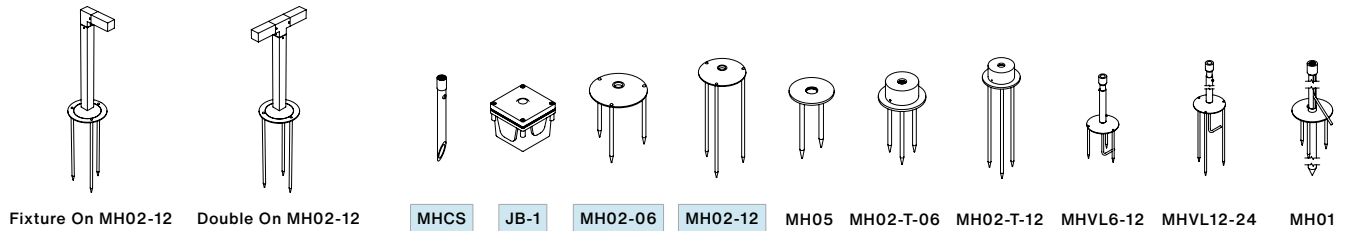
Canopy Mount:



Surface Mount Box:



Ground Mount:

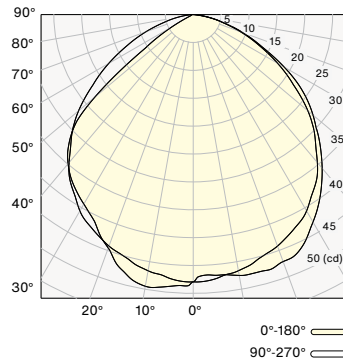
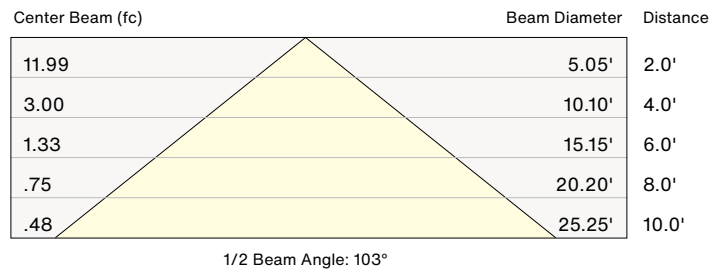


■ Readymade eligible configurations ship in 2 to 4 weeks.

Notes:

PHOTOMETRY & ENERGY DATA
ZPLLT

Input Power	3.0W
Color Temperature (CCT)	3000K
Color Rendering Index (Ra)	80+
Beam Angle	103°
Max. Candlepower	50cd
Delivered Lumens	125lm
Efficacy	42lm/W

Polar Graph - Intensity

Cone of Light - Illuminance

WATTAGE MULTIPLIER

Wattage	Multiplier
3 Watt	1.00

CCT MULTIPLIER

Color Temp.	Multiplier
2700k	0.96
3000k	1.00
4000k	1.03