

# ZPLMT

(includes former PATH-MTL models)

PATH & BOLLARD | ZPLMT Series | 6"  
8W (450lm) | 12V | HK LED

**IP67**

## FEATURES

- Highly versatile rectangular 12V LED path and area flood light. Perfect for commercial and residential pathways, where broad even light distribution is preferred. Also doubles as a capable, aimable flood light.
- Flood or linear light distribution patterns available.
- 8W integrated HK LED and installed Solite soft focus lens delivers 450 lumens of soft, pleasing light.
- Wet Location Listed, IP67 standard.
- Machined from solid aircraft grade (6061-T6), corrosion-resistant aluminum, then anodized and powder coated to create a highly durable, marine grade finish. Also available in solid brass or stainless steel.
- 180° vertical adjustment via unique swivel stem design.
- Every fixture tested end of line for water tightness and light quality.



Low Voltage LED Flood Path Light: ZPLMT-0S1-ABR



Low Voltage LED Flood Light: ZPLMT-0S1-ABL

## SPECIFICATIONS

### Materials

Solid billet 6061-T6 corrosion resistant aluminum with 304 stainless steel hardware.

### Finish

Aluminum materials are first anodized and then powder coated for a robust, marine grade finish. Stainless steel and brass models are provided with brushed surface.

### Voltage

12V AC/DC. Requires remote step down transformer.

### Wattage

8W HK LED delivering 450 lumens.

### Dimming

MLV or ELV Phase Control Dimming.

### Light Engine

Innovative HK LED Light module operates like a lamp and can be easily changed in the field. CRI 90 Standard. Standard CCT options are 2700K, 3000K, 4000K. Specialty color temperature including Amber option available. Consult factory for specialty LED specification details.

### Optics

Includes Solite Soft Focus lens for smooth, even distribution of light.

### Mounting

Mounts using 1/2"-14 NPS male fitting compatible with all HK Lighting Group mounting devices. (See page 4 for details).

### Listings

ETL Listed for Wet Location, IP67 Standard. RoHS Compliant.

## ORDERING GUIDE

EXAMPLE: ZPLMT-0S1-ABL-012V08W-30-SOL-12-MH02-06-BRZ

MODEL	PHYSICAL OPTIONS	MATERIAL /FINISH	POWER	LIGHT	EXTENSION SIZE	INSTALLED ACCESSORIES	
<b>ZPLMT</b>			<b>012V</b>			<b>SOL</b>	
ZPLMT Series Flood/Linear Path Light Integrated HK LED	<b>OS1</b> Low Voltage, Flood Style Light <b>OS2</b> Low Voltage, Linear Style Light	<b>ABL</b> Aluminum Black <b>ABR</b> Aluminum Bronze <b>AWH</b> Aluminum White <b>AAC</b> Aluminum Anodized Clear <sup>1</sup> <b>NBR</b> Natural Brass <sup>1</sup> <b>NCU</b> Natural Copper <sup>1</sup> <b>NSS</b> Natural Stainless Steel <sup>1</sup> <b>CCC</b> Custom Finish <sup>1</sup>	<b>VOLTAGE</b> <b>012V</b> 12V AC	<b>WATTAGE TOTAL</b> <b>08W</b> 8 Watts <b>SPW</b> Specialty <sup>2</sup>	<b>CCT</b> <b>27</b> 2700K <b>30</b> 3000K <b>35</b> 3500K <b>40</b> 4000K <b>AM</b> Amber <sup>2</sup> <b>CC</b> Custom LED	<b>LENGTH</b> <b>12</b> 12" <b>24</b> 24" <b>30</b> 30" <b>CC</b> Custom	<b>OPTICS</b> (Always Included) <b>SOL</b> Solite Soft Focus

<sup>1</sup> Consult factory for specialty finish quoting and lead times.

<sup>2</sup> For Specialty AM (Amber LED), select SPW (Specialty) for Wattage. Consult factory for LED technical details before Specification or Order.

<sup>3</sup> Due to the size of the ZPLMT, not recommended for use in soft soil.

## OPTIONAL INSTALLED ACCESSORIES

**MOUNTING** (Most common listed, see Page 4 for additional options)

GROUND MOUNT	
<b>MHCS-06</b>	6" PVC Single Prong Spike (12V) <sup>3</sup>
<b>MHCS-12</b>	12" PVC Single Prong Spike (12V) <sup>3</sup>
<b>MH02-06-BRZ</b>	6" Stainless Steel 3-Prong Spike (12V) Bronze
<b>MH02-12-BRZ</b>	12" Stainless Steel 3-Prong Spike (12V) Bronze
<b>JB-1</b>	Brass In-ground Junction Box
CANOPY MOUNT	
<b>CM1-XXX</b>	3.75" Square Canopy Plate
<b>CM3-XXX</b>	4.75" Square Canopy Plate
<b>CM5-XXX</b>	5" Round Canopy Plate
<b>CM5-2-XXX</b>	5" Round Canopy Plate - Double
SURFACE MOUNT	
<b>CMLJ-XXX</b>	2.7" Round Surface Box
<b>CB4.0-XXX</b>	4" Round Surface Box
<b>CB5.5-XXX</b>	5.5" Round Surface Box

• Consult Accessory Spec Sheet for desired option code.

• XXX represents color option.

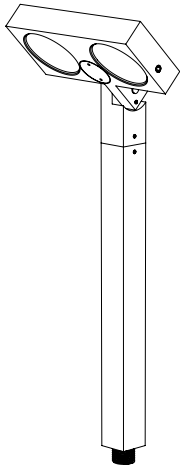
## OUTDOOR MAGNETIC TRANSFORMERS (120V input/12VAC Output)

**TRANSFORMERS** (Go to [Accessories](#) for detailed specification)

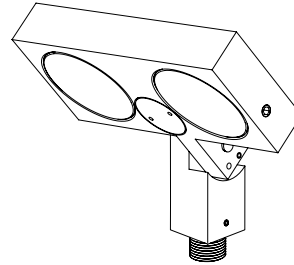
EXAMPLE: TXM-20-120

MODEL	WATTAGE (VA)	PRIMARY VOLTAGE (VAC)
<b>TXM</b> Compact, damp location magnetic transformer 12VAC Output   MLV Dimming	<b>20, 40, 60, 100, 150, 300</b>	<b>120, 277</b>
<b>TXM</b> Stainless steel, wet location outdoor magnetic transformer with integrated light sensor Multitap   12VAC Output   MLV Dimming	<b>300</b>	<b>OTR-SS (120V Only)</b>
<b>TXS</b> Stainless steel, wet location outdoor magnetic transformer Multitap   12VAC Output   MLV Dimming	<b>150, 300, 600</b>	<b>SS (120V Only)</b>
<b>IGT</b> In-grade outdoor magnetic transformer 12VAC Output   MLV Dimming	<b>50 (120V Only), 100, 300, 600</b>	<b>120, 277</b>
<b>TXE</b> In-fixture or near mounted electronic transformer 12VAC Output   ELV Dimming   Enclosure by others	<b>60</b>	<b>120, 230, 277</b>

**PRODUCT DRAWINGS**

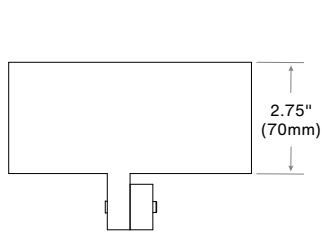


**ZPLMT-0S1**  
Flood Path Light - 12" Extension

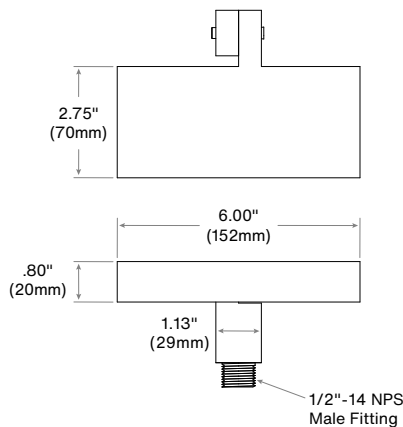
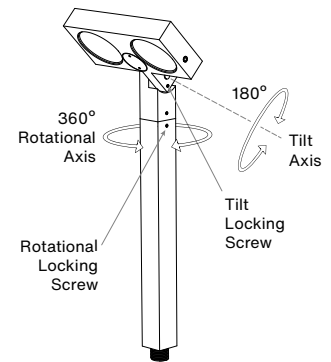
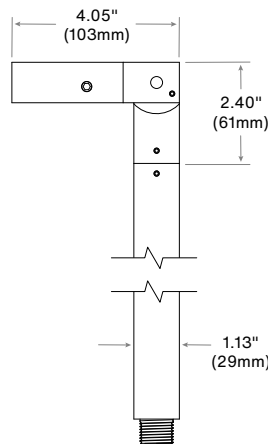
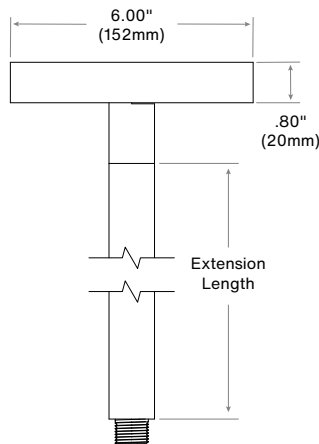


**ZPLMT-0S1**  
Flood Light - No Extension

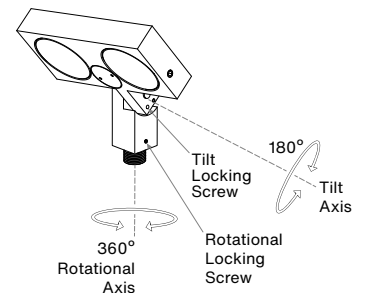
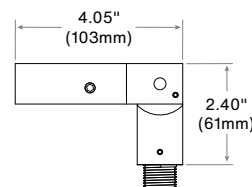
**ZPLMT-0S1**



ZPLMT-0S1  
12" Extension



ZPLMT-0S1  
No Extension

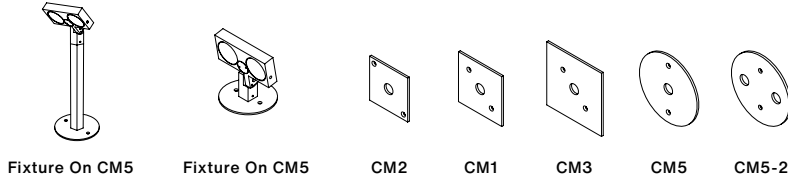


**OPTIONS & ACCESSORIES**

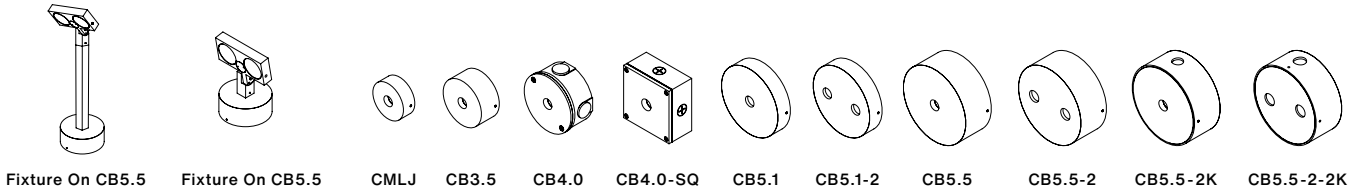
**MOUNTING ACCESSORIES**

Go to [Accessories](#) for additional options and full specifications.

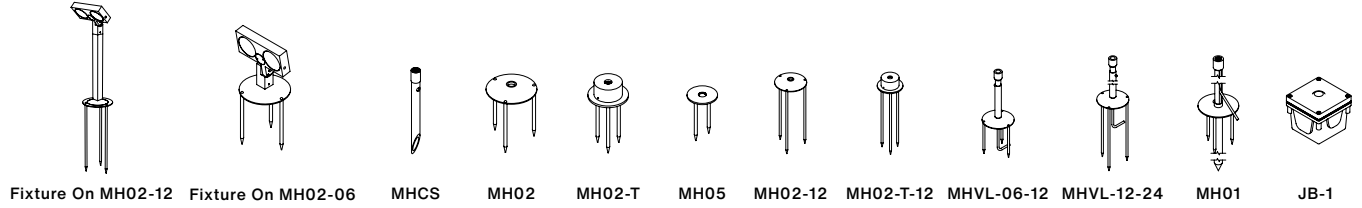
**Canopy Mount:**



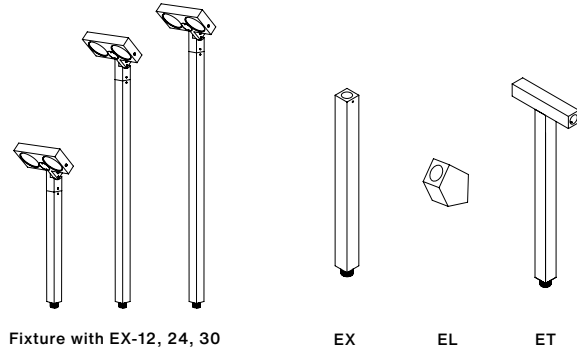
**Surface Mount Box:**



**Ground Mount:**



**Extension:**



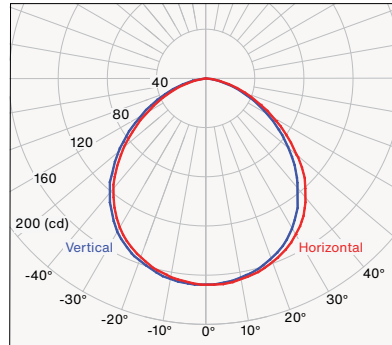
**Notes:**

[Empty yellow box for notes]

**PHOTOMETRY & ENERGY DATA**
**ZPLMT-0S1**

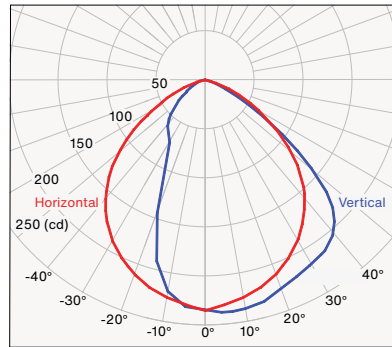
Input Power	7.7W
Color Temperature (CCT)	3000K
Color Rendering Index (Ra)	83
Beam Angle	104°
Max. Candlpower	168cd
Delivered Lumens	430lm
Efficacy	56lm/W

Polar Graph - Intensity

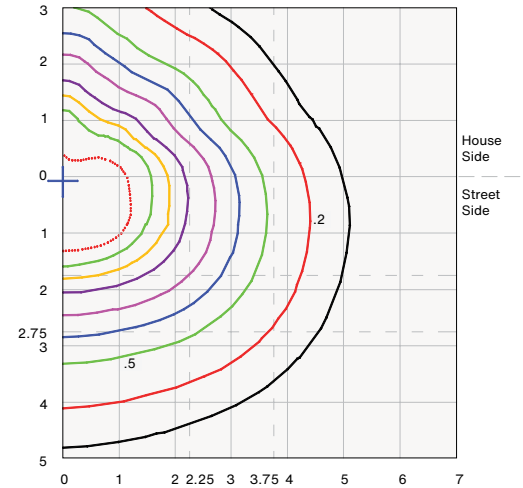

**ZPLMT-0S2**

Input Power	8.2W
Color Temperature (CCT)	3000K
Color Rendering Index (Ra)	83
Maximum Candela Angle	0° H, 5° V
Max. Candlpower	237cd
Delivered Lumens	442lm
Efficacy	54lm/W

Polar Graph - Intensity



Isofootcandles of Horizontal Illuminance



Distance in Units of Mounting Height  
 Values Based on 1.4 Foot Mounting Height  
 ½ Maximum Candela Trace Shown as Dashed Curve  
 (+) = Maximum Candela Point

**CCT MULTIPLIER**

Color Temp.	Multiplier
2700k	0.97
3000k	1.00
4000k	1.05