

ZHL16

(includes former ZXL16-H-NF and ZXL16-H models)

HANGING & CATENARY | ZH16 Series | DIA 2.25"
 5 - 10W (500 - 900lm) | 12V | HK LED, Amber, RGB



Standard Hanging LED Light: ZHL16-0R1SS1 in Black



Finned Hanging LED Light: ZHL16-0R1FS1 in Anodized Clear

FEATURES

- Aesthetic and high performing hanging light, perfect for architectural outdoor and landscape lighting environments.
- 5W, 7W, 10W integrated HK LED delivering 500 to 900 lumens. 2200-4000K CCT, including specialty Amber and RGB options.
- Wet Location Listed, IP65 Standard.
- Machined from solid aircraft grade (6061-T6), corrosion-resistant aluminum, then anodized and powder coated to create a highly durable, marine grade finish. Also available in solid brass or stainless steel.
- Modular components, field changeable LED optical beams, and lenses.
- Available with adjustable Long and Short Glare Shields.
- Hanging light ships standard with 60" power cable or can be ordered in any custom length. Power cord can easily affix to tree branches or beams or installed with coordinating canopy plate.
- Every fixture tested end of line for water tightness and light quality.
- Readymade eligible configurations ship in 2 to 4 weeks, complete with selected accessories installed.

SPECIFICATIONS

Materials

Machined from billet 6061-T6 corrosion resistant aluminum with 304 stainless steel hardware. Available in 304/316 stainless steel or 360 brass upon request.

Finish

Aluminum materials are first anodized and then powder coated for a robust, marine grade finish. Stainless steel and brass models are provided with brushed surface.

Fixture Weight

1 lb

Glare Shield

Set screw adjustable, Short or Long Glare Shields. (See page 4 for details)

Voltage

12V AC/DC. Requires remote step down transformer.

Wattage

5, 7 or 10W HK LED delivers 500 to 900 lumens.

Light Engine

Innovative HK LED Light module operates like a lamp and can be easily changed in the field. CRI 90 Standard. Available in CRI 80 or CRI 95 upon request. Standard CCT options are 2700K, 3000K, 4000K. Specialty 2200K, 2400K, 2500K, 3500K, Amber, and RGB options available. Consult factory for specialty LED specification details.

Dimming

MLV or ELV Phase Control dimming.

Optics

Narrow (20°), Medium (33°), Wide (44°), Extra Wide (57°) beam spread options available. Accepts up to 3 optical accessories (hexcel louver, optical lenses, dichroic color filters, etc.) Secured place with metal snap ring.

Mounting

Mounts to tree branches or wood beams using available screw-mount cable ties or select coordinating canopy plate surface/ box for pendant application. Fixture ships with 60" 18/2 SJTW power cable. Custom hanging lengths also available.

ORDERING GUIDE

EXAMPLE: ZHL16-0R1SS1-ABL-012V05W-27N-60-GSL-LVR-CM5-ABL

MODEL	PHYSICAL OPTIONS			MATERIAL / FINISH			POWER		LIGHT			WIRE LEAD	
ZHL16	OR1						012V						
ZH16 Series 2.25" Hanging Light Integrated HK LED	TYPE	STYLE	HOOD STYLE	ABL Aluminum Black	ABR Aluminum Bronze	AWH Aluminum White	VOLTAGE	WATTAGE PER LIGHT	CCT	OPTICS	LENGTH		
	OR1 Low Voltage, Round Single Light	S Standard F Finned	S1 Standard Accent Style SC Standard Accent Style, Custom	AAC Aluminum Anodized Clear ¹	NBR Natural Brass ¹	NCU Natural Copper ¹	012V 12V AC	05W 5 Watts (500lm) 07W 7 Watts (700lm) 10W 10 Watts (900lm) SPW Specialty ²	22 2200K 24 2400K 25 2500K 27 2700K 30 3000K 35 3500K 40 4000K AM Amber ² RG RGB ²	N Narrow (20°) M Medium (33°) W Wide (44°) E Wide (57°) CC Custom Optic	60 60" XX Custom ³		

Ready-made eligible configurations ship in 2 to 4 weeks

¹ For premium materials, please consult the factory for current lead times and pricing. A minimum order quantity of 10 units is required.

² For Specialty AM (Amber LED), RG (RGB LED) select SPW (Specialty) for Wattage. Consult factory for LED technical details before Specification or Order.

³ Custom length, include your desired length in inches.

OPTIONAL INSTALLED ACCESSORIES

GLARE SHIELD	OPTIC	MOUNTING (Most common listed, see Page 4 for additional options)
GSL Glare Shield Long GSS Glare Shield Short	LVR Hexcel Louver OSL Overall Spread Lens LSL Linear Spread Lens SOL Solite Soft Focus DCF Dichroic Filter	CANOPY MOUNT CM1-XXX 3.75" Square Canopy Plate CM3-XXX 4.75" Square Canopy Plate CM5-XXX 5" Round Canopy Plate CM5-2-XXX 5" Round Canopy Plate - Double SURFACE MOUNT CMLJ-XXX 2.7" Round Surface Box CB4.0-XXX 4" Round Surface Box CB5.5-XXX 5.5" Round Surface Box CABLE TIE CBT-08-BLK 8" Black Cable Tie

ADDITIONAL ACCESSORIES (Not installed at time of order)

GLARE SHIELD ACCESSORIES	OPTIC ACCESSORIES
GSL-16-XXX Glare Shield Long GSS-16-XXX Glare Shield Short	LVR-16 Hexcel Louver OSL-16 Overall Spread Lens LSL-16 Linear Spread Lens SOL-16 Solite Soft Focus DCF-16 Dichroic Filter OPK-16 Optic Kit - Narrow, Medium, Wide

- Consult Accessory Spec Sheet for desired option code.
- XXX represents color option.
- Ready-made options available in ABL and ABR only unless noted by the part code above.

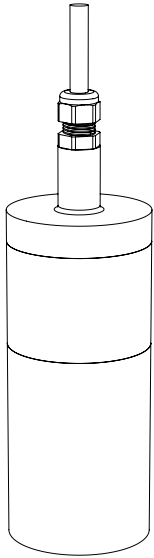
OUTDOOR MAGNETIC TRANSFORMERS (120V input/12VAC Output)

TRANSFORMERS (Go to [Accessories](#) for detailed specification)

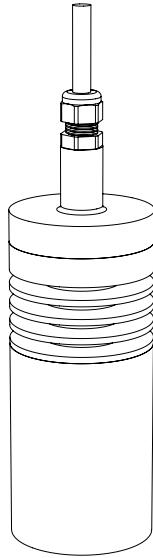
EXAMPLE: TXS-150-SS

MODEL	WATTAGE (VA)	PRIMARY VOLTAGE (VAC)
TXM Stainless steel, wet location outdoor magnetic transformer Multitap 12-15VAC Output MLV Dimming	150 300	OTR-SS (120V Only)
TXS Stainless steel, wet location outdoor magnetic transformer Multitap 12VAC Output MLV Dimming	150 300 600	SS (120V Only)
TXM Compact, damp location magnetic transformer 12VAC Output MLV Dimming	20 40 60 100	120
IGT In ground outdoor magnetic transformer 12VAC Output MLV Dimming	50 (120V Only) 100 300 600	120 277
TXE In-fixture or near mounted electronic transformer 12VAC Output ELV Dimming Enclosure by others	60	120 277

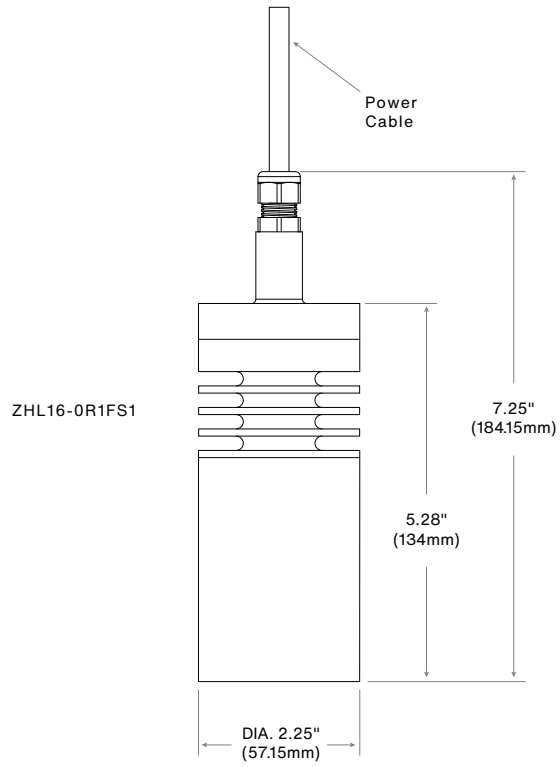
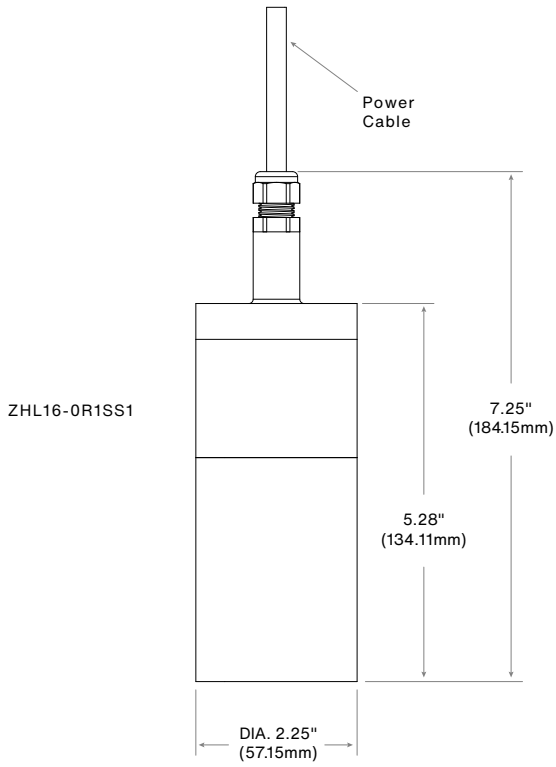
PRODUCT DRAWINGS



ZHL16-0R1SS1
Standard

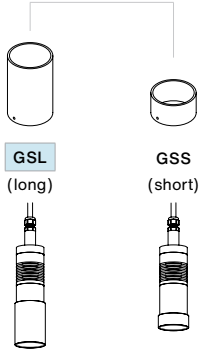


ZHL16-0R1FS1
Finned



OPTIONS & ACCESSORIES
OPTIONAL GLARE SHIELD

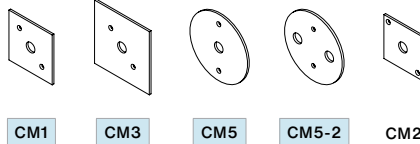
For Use with Hanging Hood,
Fastened with Set Screw


MOUNTING ACCESSORIES

Canopy
Mount:



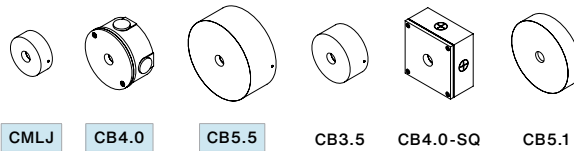
Fixture On CM5



Surface
Mount Box:



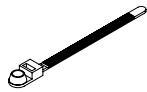
Fixture On CB5.1



Screw-Mount
Cable Ties:



Fixture Using CBT-08-BLK



CBT-08-BLK

 Readymade eligible configurations ship in 2 to 4 weeks.

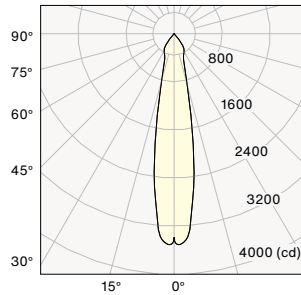
Notes:

PHOTOMETRY & ENERGY DATA

ZHL16 (Narrow)

Input Power	9.5W
Color Temperature (CCT)	3000K
Color Rendering Index (Ra)	83
Beam Angle	20.5°
Max. Candlepower	3507cd
Delivered Lumens	864lm
Efficacy	91lm/W

Polar Graph - Intensity



Cone of Light - Illuminance

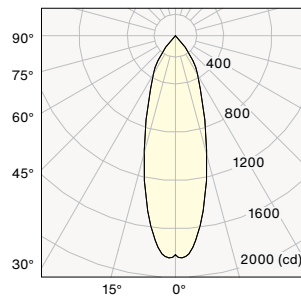
Center Beam (fc)	Beam Diameter	Distance
877	0.7'	2.0'
219	1.4'	4.0'
97	2.2'	6.0'
55	2.9'	8.0'
35	3.6'	10.0'

1/2 Beam Angle: 20.5°

ZHL16 (Medium)

Input Power	9.5W
Color Temperature (CCT)	3000K
Color Rendering Index (Ra)	83
Beam Angle	32.5°
Max. Candlepower	1842cd
Delivered Lumens	863lm
Efficacy	91lm/W

Polar Graph - Intensity



Cone of Light - Illuminance

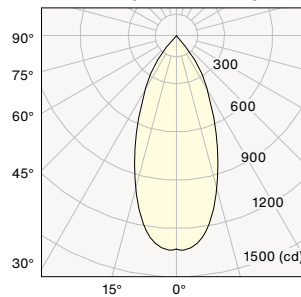
Center Beam (fc)	Beam Diameter	Distance
460	1.2'	2.0'
115	2.3'	4.0'
51	3.5'	6.0'
29	4.6'	8.0'
18	5.8'	10.0'

1/2 Beam Angle: 32.5°

ZHL16 (Wide)

Input Power	9.5W
Color Temperature (CCT)	3000K
Color Rendering Index (Ra)	83
Beam Angle	44.1°
Max. Candlepower	1332cd
Delivered Lumens	850lm
Efficacy	89lm/W

Polar Graph - Intensity



Cone of Light - Illuminance

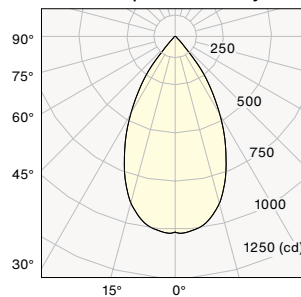
Center Beam (fc)	Beam Diameter	Distance
333	1.6'	2.0'
83	3.2'	4.0'
37	4.9'	6.0'
21	6.5'	8.0'
13	8.1'	10.0'

1/2 Beam Angle: 44.1°

ZHL16 (Extra Wide)

Input Power	9.5W
Color Temperature (CCT)	3000K
Color Rendering Index (Ra)	83
Beam Angle	56.9°
Max. Candlepower	1019cd
Delivered Lumens	876lm
Efficacy	92lm/W

Polar Graph - Intensity



Cone of Light - Illuminance

Center Beam (fc)	Beam Diameter	Distance
255	2.3'	2.0'
64	4.6'	4.0'
28	6.9'	6.0'
16	9.2'	8.0'
10	11.5'	10.0'

1/2 Beam Angle: 56.9°

WATTAGE MULTIPLIER

Wattage	Multiplier
5 Watt	0.53
7 Watt	0.77
10 Watt	1.00

CCT MULTIPLIER

Color Temp.	Multiplier
2700k	0.97
3000k	1.00
4000k	1.05