

ZWL16-I

(includes former ZXL16i-WM model)



WALL MOUNT | ZW16 Series | 2.25" dia.

5 - 10W (400 - 1000lm) | 120V - 277V | HK LED, Amber, RGBW

FEATURES

- Versatile round line voltage, 120V - 277V LED Wall Mount light, perfect for modern architectural outdoor lighting environments.
- 5W, 7W, 10W integrated HK LED delivering 400 to 1000 lumens. 2200-4000K CCT, including specialty Amber and RGBW options.
- Wet Location Listed, IP65 Standard.
- Machined from solid aircraft grade (6061-T6), corrosion-resistant aluminum, then anodized and powder coated to create a highly durable, marine grade finish. Also available in solid brass or stainless steel.
- 360° rotation adjustment permits operation as an uplight or downlight.
- Field changeable optical lensing available.
- Includes CM5 5" Round Canopy Plate. Long, Short, and Angled Glare Shields available. Additional surface or canopy mounting options.
- Every fixture tested end of line for water tightness and light quality.



Standard Line Voltage Wall Mount: ZWL16-IR1SB-ABL



Finned Line Voltage Wall Mount: ZWL16-IR1FB-AAC

SPECIFICATIONS

Materials

Machined from billet 6061-T6 corrosion resistant aluminum with 304 stainless steel hardware. Available in 304/316 stainless steel or 360 brass upon request.

Finish

Aluminum materials are first anodized and then powder coated for a robust, marine grade finish. Stainless steel and brass models are provided with brushed surface.

Hood and Glare Shield

Weeping and Non-weeping Hood Styles. Set screw or threaded Angled, Short, or Long Glare Shields. (See page 4 for details)

Voltage

120V - 277V AC.

Wattage

5, 7 or 10W HK LED delivering 400 to 1000 lumens.

Light Engine

Innovative HK LED Light module operates like a lamp and can be easily changed in the field. CRI 90 Standard. Available in CRI 80 or CRI 95 upon request. Standard CCT options are 2700K, 3000K, 3500K, 4000K. Specialty 2200K, 2400K, 2500K, Amber, and RGBW options available. Consult factory for specialty LED specification details.

Driver/Dimming

Onboard, Integrated LED Driver Phase Control @120V, 0V-10V @120V-277V, DALI or DMX control available, consult factory for details.

Optics

Narrow (20°), Medium (33°), Wide (44°), and Extra Wide (57°) beam spread options available. Accepts up to 3 optical accessories (hexcel louver, optical lenses, dichroic color filters, etc.) Secured place with metal snap ring.

Mounting

Includes CM5 Round Canopy Plate and (2) 8-32 UNC machine screws for finished mounting to standard 30/3R style Junction Boxes. (See page 4 for more mounting options)

Listings

ETL Listed for Wet Location, IP65 Standard. RoHS Compliant.

ORDERING GUIDE

EXAMPLE: ZWL16-IR1SA-ABL-120V05W-22N-GSA-LVR-CM5-ABL

| MODEL | PHYSICAL OPTIONS | | | MATERIAL / FINISH | | POWER | | | |
|--|---|--|---|---|--|--|---|--|--|
| ZWL16 | | | | | | | | | |
| ZW16 Series 2.25" Wall Mount Light Integrated HK LED | | | | ABL Aluminum Black | | VOLTAGE | WATTAGE | CCT | OPTICS |
| | IR1 Line Voltage, Round Single Light Integrated Driver | STYLE S Standard F Finned | HOOD A A Hood: Weeping B B Hood: No Weep Holes | ABR Aluminum Bronze AWH Aluminum White AAC Aluminum Anodized Clear ¹ NBR Natural Brass ¹ NCU Natural Copper ¹ NSS Natural Stainless Steel ¹ CCC Custom Finish ¹ | | 120V 120V (Phase Control) UNIV 120V-277V (0V-10V) | 05W 5 Watts (400lm) 07W 7 Watts (700lm) 10W 10 Watts (1000lm) SPW Specialty ² | 22 2200K 24 2400K 25 2500K 27 2700K 30 3000K 35 3500K 40 4000K AM AMBER ² RG RGBW ² | N Narrow (20°) M Medium (33°) W Wide (44°) E Extra Wide (57°) CC Custom Optic |

¹ Consult factory for specialty finish quoting and lead times

² For Specialty AM (Amber LED) and RG (RGBW LED), select SPW (Specialty) for Wattage. Consult factory for LED technical details before Specification or Order.

OPTIONAL INSTALLED ACCESSORIES

| GLARE SHIELD | OPTIC | MOUNTING (Most common listed, see Page 4 for additional options) |
|---|---|---|
| GSA A/B Glare Shield Angled GSL A/B Glare Shield Long GSS A/B Glare Shield Short | LVR Hexcel Louver OSL Overall Spread Lens LSL Linear Spread Lens SOL Solite Soft Focus DCF Dichroic Filter | CANOPY MOUNT CM5-XXX 5" Round Canopy Plate (Included) ⁴ CM1-XXX 3.75" Square Canopy Plate CM3-XXX 4.75" Square Canopy Plate SURFACE MOUNT CMLJ-XXX 2.7" Round Surface Box CB4.0-XXX 4" Round Surface Box CB5.5-XXX 5.5" Round Surface Box |

- Consult Accessory Spec Sheet for desired option code.
- XXX represents color option.

ADDITIONAL ACCESSORIES (Not installed at time of order)

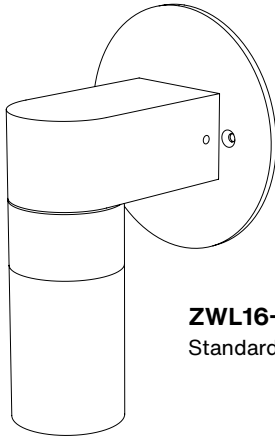
GLARE SHIELD ACCESSORIES

| | |
|-------------------|-------------------------|
| GSL-16-XXX | A/B Glare Shield Long |
| GSA-16-XXX | A/B Glare Shield Angled |
| GSS-16-XXX | A/B Glare Shield Short |

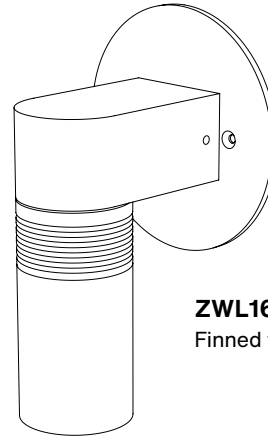
OPTIC ACCESSORIES

| | |
|---------------|--|
| LVR-16 | Hexcel Louver |
| OSL-16 | Overall Spread Lens |
| LSL-16 | Linear Spread Lens |
| SOL-16 | Solite Soft Focus |
| DCF-16 | Dichroic Filter |
| OPK-16 | Optic Kit - Narrow, Medium, Wide, Extra Wide |

PRODUCT DRAWINGS

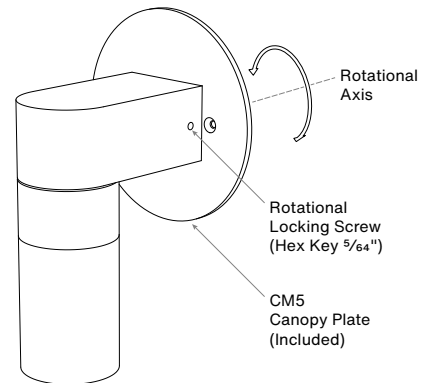
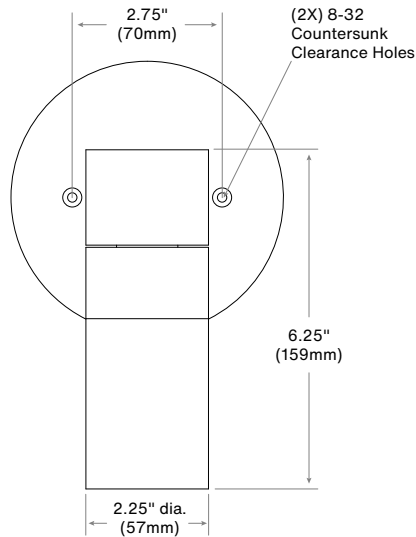
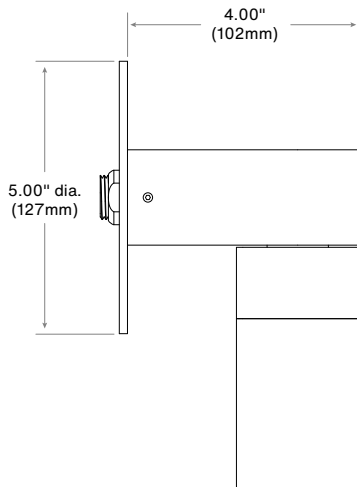


ZWL16-IR1S
Standard with included CM5 Canopy Plate

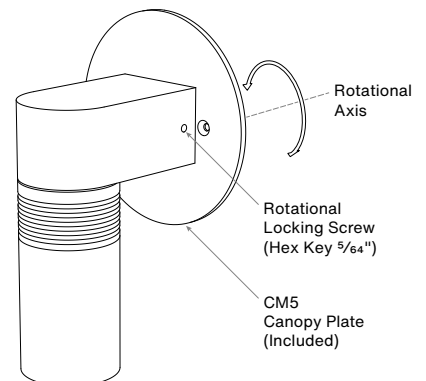
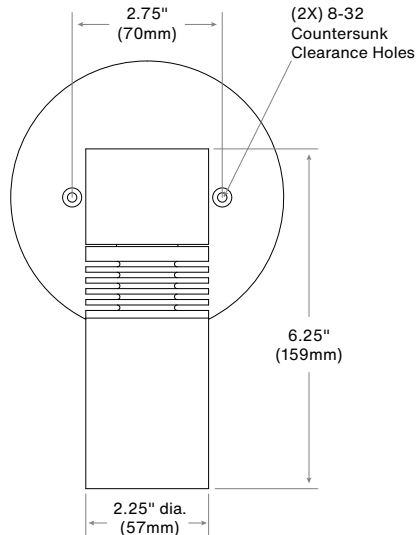
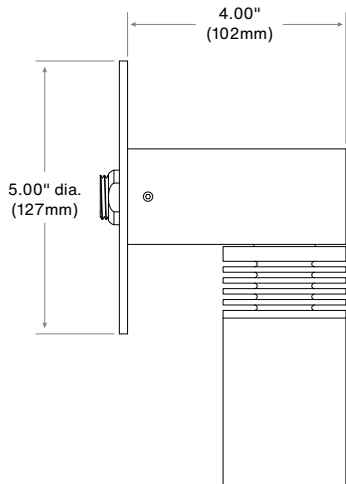


ZWL16-IR1F
Finned with included CM5 Canopy Plate

ZWL16-IR1S

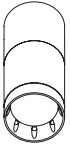


ZWL16-IR1F



OPTIONS & ACCESSORIES

HOOD OPTIONS



A HOOD

Versatile hood with 8 weep holes for water drainage. Regressed lens for glare control. Suggested for general use or when fixture is aimed in an up position.

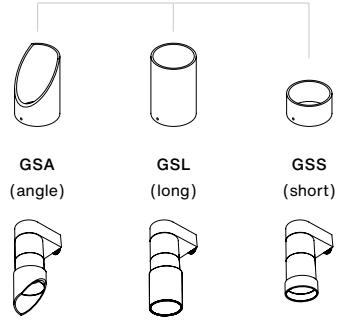


B HOOD

Similar to A hood but without weep holes. Regressed lens for glare control. Suggested for downlighting and interior applications.

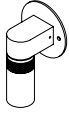
OPTIONAL GLARE SHIELD

For use with A & B Hood,
fastened with Set Screw



INCLUDED MOUNTING ACCESSORIES

Canopy Mount:



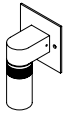
Fixture On CM5



CM5

OPTIONAL MOUNTING ACCESSORIES

Canopy Mount:



Fixture On CM3



CM2

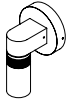


CM1



CM3

Surface Mount Box:



Fixture On CB5.1



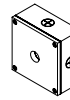
CMLJ



CB3.5



CB4.0



CB4.0-SQ



CB5.1



CB5.5



CB5.5-K/O

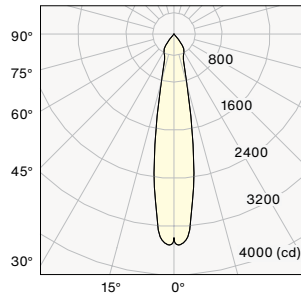
Notes:

PHOTOMETRY & ENERGY DATA

ZWL16-I (Narrow)

| | |
|----------------------------|--------|
| Input Power | 9.5W |
| Color Temperature (CCT) | 3000K |
| Color Rendering Index (Ra) | 83 |
| Beam Angle | 20.5° |
| Max. Candlepower | 3507cd |
| Delivered Lumens | 864lm |
| Efficacy | 91lm/W |

Polar Graph - Intensity



Cone of Light - Illuminance

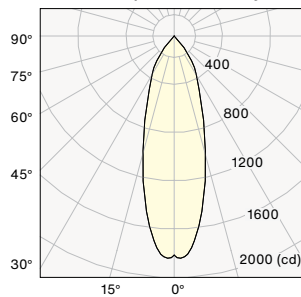
| Center Beam (fc) | Beam Diameter | Distance |
|------------------|---------------|----------|
| 877 | 0.7' | 2.0' |
| 219 | 1.4' | 4.0' |
| 97 | 2.2' | 6.0' |
| 55 | 2.9' | 8.0' |
| 35 | 3.6' | 10.0' |

1/2 Beam Angle: 20.5°

ZWL16-I (Medium)

| | |
|----------------------------|--------|
| Input Power | 9.5W |
| Color Temperature (CCT) | 3000K |
| Color Rendering Index (Ra) | 83 |
| Beam Angle | 32.5° |
| Max. Candlepower | 1842cd |
| Delivered Lumens | 863lm |
| Efficacy | 91lm/W |

Polar Graph - Intensity



Cone of Light - Illuminance

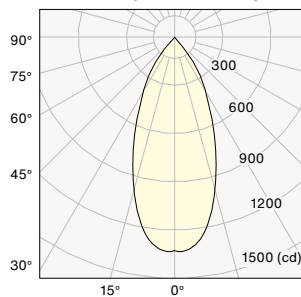
| Center Beam (fc) | Beam Diameter | Distance |
|------------------|---------------|----------|
| 460 | 1.2' | 2.0' |
| 115 | 2.3' | 4.0' |
| 51 | 3.5' | 6.0' |
| 29 | 4.6' | 8.0' |
| 18 | 5.8' | 10.0' |

1/2 Beam Angle: 32.5°

ZWL16-I (Wide)

| | |
|----------------------------|--------|
| Input Power | 9.5W |
| Color Temperature (CCT) | 3000K |
| Color Rendering Index (Ra) | 83 |
| Beam Angle | 44.1° |
| Max. Candlepower | 1332cd |
| Delivered Lumens | 850lm |
| Efficacy | 89lm/W |

Polar Graph - Intensity



Cone of Light - Illuminance

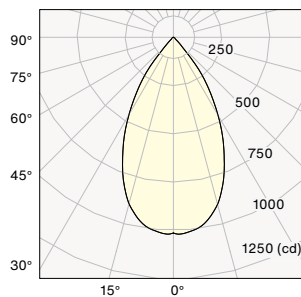
| Center Beam (fc) | Beam Diameter | Distance |
|------------------|---------------|----------|
| 333 | 1.6' | 2.0' |
| 83 | 3.2' | 4.0' |
| 37 | 4.9' | 6.0' |
| 21 | 6.5' | 8.0' |
| 13 | 8.1' | 10.0' |

1/2 Beam Angle: 44.1°

ZWL16-I (Extra Wide)

| | |
|----------------------------|--------|
| Input Power | 9.5W |
| Color Temperature (CCT) | 3000K |
| Color Rendering Index (Ra) | 83 |
| Beam Angle | 56.9° |
| Max. Candlepower | 1019cd |
| Delivered Lumens | 876lm |
| Efficacy | 92lm/W |

Polar Graph - Intensity



Cone of Light - Illuminance

| Center Beam (fc) | Beam Diameter | Distance |
|------------------|---------------|----------|
| 255 | 2.3' | 2.0' |
| 64 | 4.6' | 4.0' |
| 28 | 6.9' | 6.0' |
| 16 | 9.2' | 8.0' |
| 10 | 11.5' | 10.0' |

1/2 Beam Angle: 56.9°

WATTAGE MULTIPLIER

| Wattage | Multiplier |
|-----------|------------|
| 5 Watt | 0.53 |
| 7 Watt | 0.83 |
| 10 Watt | 1.00 |
| AMBER 10W | 0.73 |

CCT MULTIPLIER

| Color Temp. | Multiplier |
|-------------|------------|
| 2700k | 0.97 |
| 3000k | 1.00 |
| 4000k | 1.05 |