

ZWL16

(includes former ZXL16-WM model)



WALL MOUNT | ZW16 Series | 2.25" dia.
5 - 10W (500 - 900lm) | 12V | HK LED, RGB, Amber

FEATURES

- Versatile round low voltage, 12V LED Wall Mount light, perfect for modern architectural outdoor lighting environments.
- 5W, 7W, 10W integrated HK LED delivering 500 to 900 lumens. 2200-4000K CCT, including specialty Amber and RGB options.
- Wet Location Listed, IP65 Standard.
- Machined from solid aircraft grade (6061-T6), corrosion-resistant aluminum, then anodized and powder coated to create a highly durable, marine grade finish. Also available in solid brass or stainless steel.
- 360° rotation adjustment permits operation as an uplight or downlight.
- Field changeable optical lensing available.
- Includes CM5 5" Round Canopy Plate. Long, Short, and Angled Glare Shields available. Additional surface and canopy mounting options also available.
- Every fixture tested end of line for water tightness and light quality.
- Readymade eligible configurations ship in 2 to 4 weeks, complete with selected accessories installed.



Standard Low Voltage Wall Mount: ZWL16-0R1SB-ABR



Finned Low Voltage Wall Mount: ZWL16-0R1FB-ABR

SPECIFICATIONS

Materials

Machined from billet 6061-T6 corrosion resistant aluminum with 304 stainless steel hardware. Available in 304/316 stainless steel or 360 brass upon request.

Finish

Aluminum materials are first anodized and then powder coated for a robust, marine grade finish. Stainless steel and brass models are provided with brushed surface.

Hood and Glare Shield

Weeping and Non-weeping Hood Styles. Set screw or threaded Angled, Short, or Long Glare Shields. (See page 4 for details)

Voltage

12V AC/DC. Requires remote step down transformer.

Wattage

5, 7 or 10W HK LED delivering 500 to 900 lumens.

Light Engine

Innovative HK LED Light module operates like a lamp and can be easily changed in the field. CRI 90 Standard. Available in CRI 80 or CRI 95 upon request. Standard CCT options are 2700K, 3000K, 3500K, 4000K. Specialty 2200K, 2400K, 2500K, Amber, and RGB options available. Consult factory for specialty LED specification details.

Dimming

MLV or ELV Phase Control dimming.

Optics

Narrow (20°), Medium (33°), Wide (44°), and Extra Wide (57°) beam spread options available. Accepts up to 3 optical accessories (hexcel louver, optical lenses, dichroic color filters, etc.) Secured place with metal snap ring.

Mounting

Includes CM5 Round Canopy Plate and (2X) 8-32 UNC machine screws for finished mounting to standard 30/3R style Junction Boxes. (See page 4 for more mounting options)

Listings

ETL Listed for Wet Location, IP65 Standard. RoHS Compliant.

ORDERING GUIDE

EXAMPLE: ZWL16-0R1SA-ABL-012V05W-27N-GSA-LVR-CM5-ABL

MODEL	PHYSICAL OPTIONS			MATERIAL / FINISH			POWER		LIGHT	
ZWL16							012V			
ZW16 Series 2.25" Wall Mount Light Integrated HK LED							VOLTAGE	WATTAGE PER LIGHT	CCT	OPTICS
	OR1 Low Voltage, Round Single Light	S Standard F Finned	A A Hood: Weeping B B Hood: No Weep Holes	ABL Aluminum Black ABR Aluminum Bronze AWH Aluminum White AAC Aluminum Anodized Clear ¹ NBR Natural Brass ¹ NCU Natural Copper ¹ NSS Natural Stainless Steel ¹ CCC Custom Finish ¹	012V 12V AC	05W 5 Watts (500lm) 07W 7 Watts (700lm) 10W 10 Watts (900lm) SPW Specialty ²	22 2200K 24 2400K 25 2500K 27 2700K 30 3000K 35 3500K 40 4000K AM AMBER ² RG RGB ²	N Narrow (20°) M Medium (33°) W Wide (44°) E Extra Wide (57°) CC Custom Optic		

Readymade eligible configurations ship in 2 to 4 weeks

¹ For premium materials, please consult the factory for current lead times and pricing. A minimum order quantity of 10 units is required.

² For Specialty AM (Amber LED) and RG (RGB LED), select SPW (Specialty) for Wattage. Consult factory for LED technical details before Specification or Order.

OPTIONAL INSTALLED ACCESSORIES

GLARE SHIELD	OPTIC	MOUNTING (Most common listed, see Page 4 for additional options)
GSA A/B Glare Shield Angled GSL A/B Glare Shield Long GSS A/B Glare Shield Short	LVR Hexcel Louver OSL Overall Spread Lens LSL Linear Spread Lens SOL Solite Soft Focus DCF Dichroic Filter	CANOPY MOUNT CM5-XXX 5" Round Canopy Plate (Included) CM1-XXX 3.75" Square Canopy Plate CM3-XXX 4.75" Square Canopy Plate SURFACE MOUNT CMLJ-XXX 2.7" Round Surface Box CB4.0-XXX 4" Round Surface Box CB5.5-XXX 5.5" Round Surface Box

- Consult Accessory Spec Sheet for desired option code.
- XXX represents color option.
- Readymade options available in ABL and ABR only unless noted by the part code above.

ADDITIONAL ACCESSORIES (Not installed at time of order)

GLARE SHIELD ACCESSORIES	OPTIC ACCESSORIES
GSL-16-XXX A/B Glare Shield Long GSA-16-XXX A/B Glare Shield Angled GSS-16-XXX A/B Glare Shield Short	LVR-16 Hexcel Louver OSL-16 Overall Spread Lens LSL-16 Linear Spread Lens SOL-16 Solite Soft Focus DCF-16 Dichroic Filter OPK-16 Optic Kit - Narrow, Medium, Wide, Extra Wide

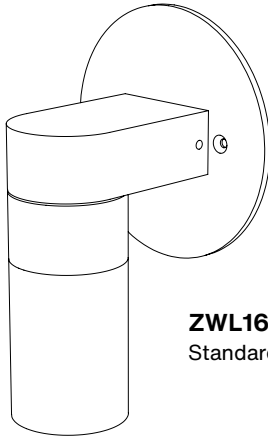
OUTDOOR MAGNETIC TRANSFORMERS (120V input/12VAC Output)

TRANSFORMERS (Go to [Accessories](#) for detailed specification)

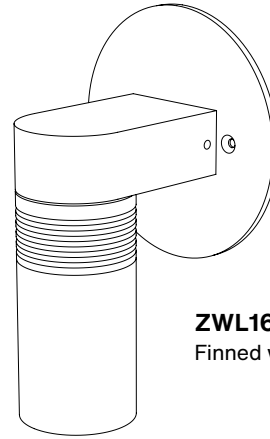
EXAMPLE: TXS-150-SS

MODEL	WATTAGE (VA)	PRIMARY VOLTAGE (VAC)
TXM Stainless steel, wet location outdoor magnetic transformer Multitap 12-15VAC Output MLV Dimming	150 300	OTR-SS (120V Only)
TXS Stainless steel, wet location outdoor magnetic transformer Multitap 12VAC Output MLV Dimming	150 300 600	SS (120V Only)
TXM Compact, damp location magnetic transformer 12VAC Output MLV Dimming	20 40 60 100	120
IGT In ground outdoor magnetic transformer 12VAC Output MLV Dimming	50 (120V Only) 100 300 600	120 277
TXE In-fixture or near mounted electronic transformer 12VAC Output ELV Dimming Enclosure by others	60	120 277

PRODUCT DRAWINGS

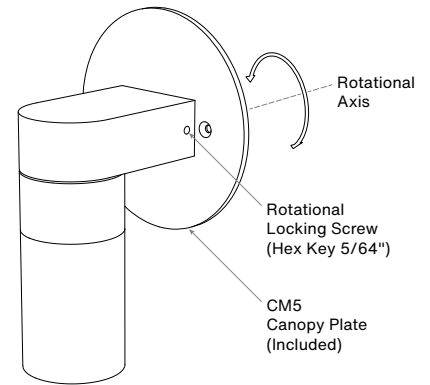
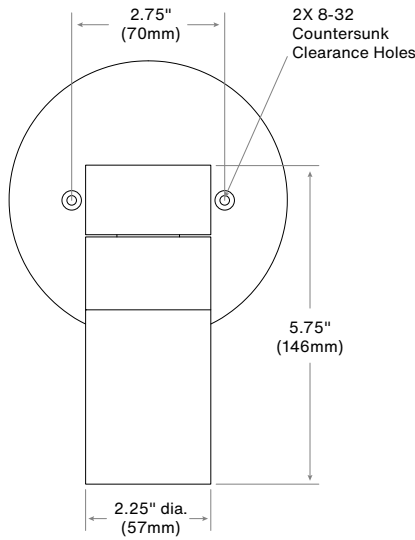
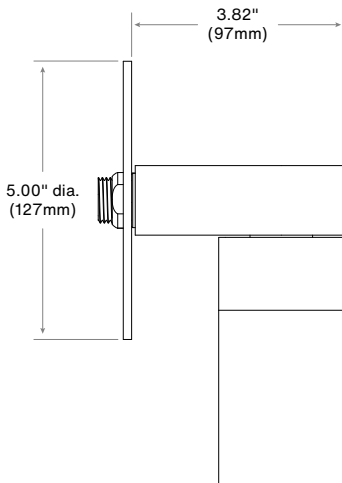


ZWL16-OR1S
Standard with included CM5 Canopy Plate

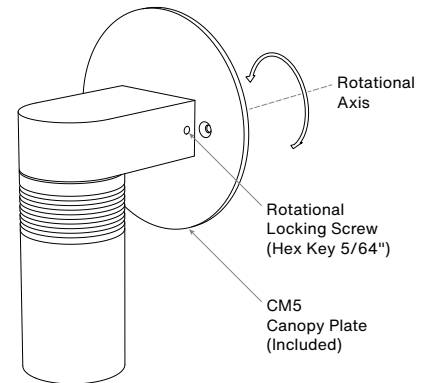
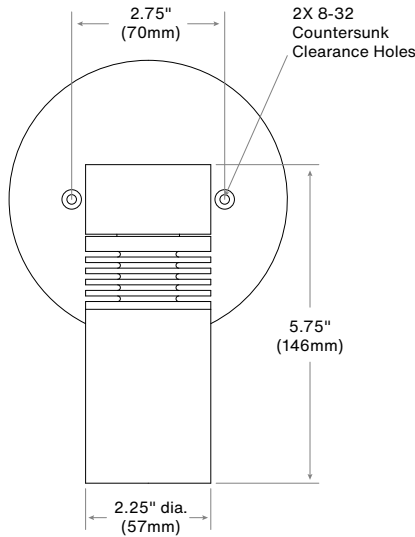
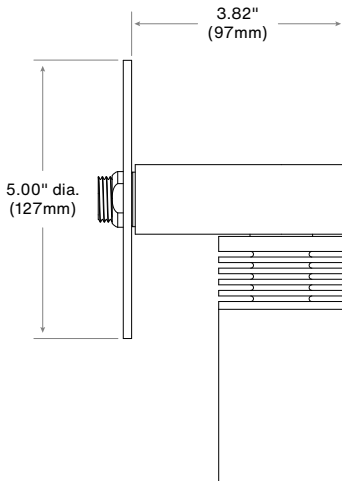


ZWL16-OR1F
Finned with included CM5 Canopy Plate

ZWL16-OR1S

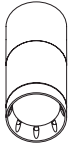


ZWL16-OR1F



OPTIONS & ACCESSORIES

HOOD OPTIONS



A HOOD

Versatile hood with 8 weep holes for water drainage. Regressed lens for glare control. Suggested for general use or when fixture is aimed in an up position.

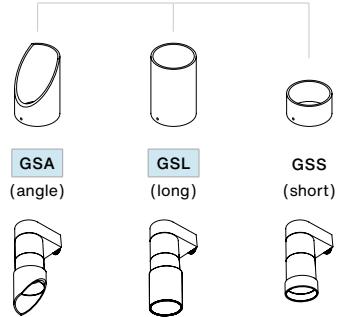


B HOOD

Similar to A hood but without weep holes. Regressed lens for glare control. Suggested for downlighting and interior applications.

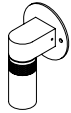
OPTIONAL GLARE SHIELD

For use with A & B Hood, fastened with Set Screw



INCLUDED MOUNTING ACCESSORIES

Canopy Mount:



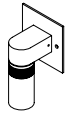
Fixture On CM5



CM5

OPTIONAL MOUNTING ACCESSORIES

Canopy Mount:



Fixture On CM3



CM1

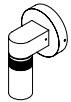


CM3



CM2

Surface Mount Box:



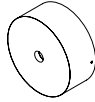
Fixture On CB5.1



CMLJ



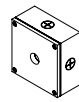
CB4.0



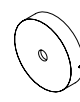
CB5.5



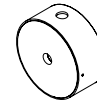
CB3.5



CB4.0-SQ



CB5.1



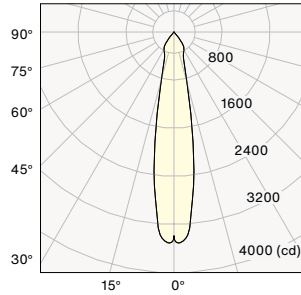
CB5.5-K/O

Ready-made eligible configurations ship in 2 to 4 weeks.

Notes:

PHOTOMETRY & ENERGY DATA
ZWL16 (Narrow)

Input Power	9.5W
Color Temperature (CCT)	3000K
Color Rendering Index (Ra)	83
Beam Angle	20.5°
Max. Candlepower	3507cd
Delivered Lumens	864lm
Efficacy	91lm/W

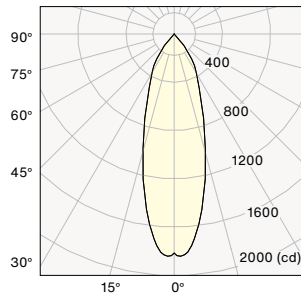
Polar Graph - Intensity

Cone of Light - Illuminance

Center Beam (fc)	Beam Diameter	Distance
877	0.7'	2.0'
219	1.4'	4.0'
97	2.2'	6.0'
55	2.9'	8.0'
35	3.6'	10.0'

1/2 Beam Angle: 20.5°

ZWL16 (Medium)

Input Power	9.5W
Color Temperature (CCT)	3000K
Color Rendering Index (Ra)	83
Beam Angle	32.5°
Max. Candlepower	1842cd
Delivered Lumens	863lm
Efficacy	91lm/W

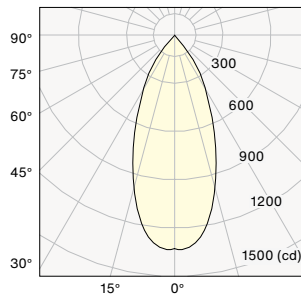
Polar Graph - Intensity

Cone of Light - Illuminance

Center Beam (fc)	Beam Diameter	Distance
460	1.2'	2.0'
115	2.3'	4.0'
51	3.5'	6.0'
29	4.6'	8.0'
18	5.8'	10.0'

1/2 Beam Angle: 32.5°

ZWL16 (Wide)

Input Power	9.5W
Color Temperature (CCT)	3000K
Color Rendering Index (Ra)	83
Beam Angle	44.1°
Max. Candlepower	1332cd
Delivered Lumens	850lm
Efficacy	89lm/W

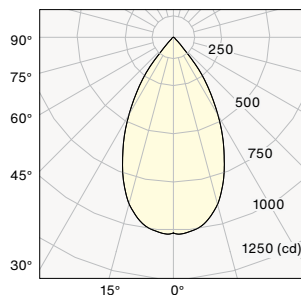
Polar Graph - Intensity

Cone of Light - Illuminance

Center Beam (fc)	Beam Diameter	Distance
333	1.6'	2.0'
83	3.2'	4.0'
37	4.9'	6.0'
21	6.5'	8.0'
13	8.1'	10.0'

1/2 Beam Angle: 44.1°

ZWL16 (Extra Wide)

Input Power	9.5W
Color Temperature (CCT)	3000K
Color Rendering Index (Ra)	83
Beam Angle	56.9°
Max. Candlepower	1019cd
Delivered Lumens	876lm
Efficacy	92lm/W

Polar Graph - Intensity

Cone of Light - Illuminance

Center Beam (fc)	Beam Diameter	Distance
255	2.3'	2.0'
64	4.6'	4.0'
28	6.9'	6.0'
16	9.2'	8.0'
10	11.5'	10.0'

1/2 Beam Angle: 56.9°

WATTAGE MULTIPLIER

Wattage	Multiplier
5 Watt	0.53
7 Watt	0.83
10 Watt	1.00
AMBER 10W	0.73

CCT MULTIPLIER

Color Temp.	Multiplier
2700k	0.97
3000k	1.00
4000k	1.05