

# ZXL08

## INSTALLATION, MAINTENANCE & SERVICE

ACCENT & LANDSCAPE | ZX08 Series  
3W (200lm) | 12V | HK LED, Amber



### Materials

6061-T6 Machined aluminum  
316 stainless steel hardware

### Fitting

1/2" - 14 NPS male thread

### Dimming

MLV / ELV

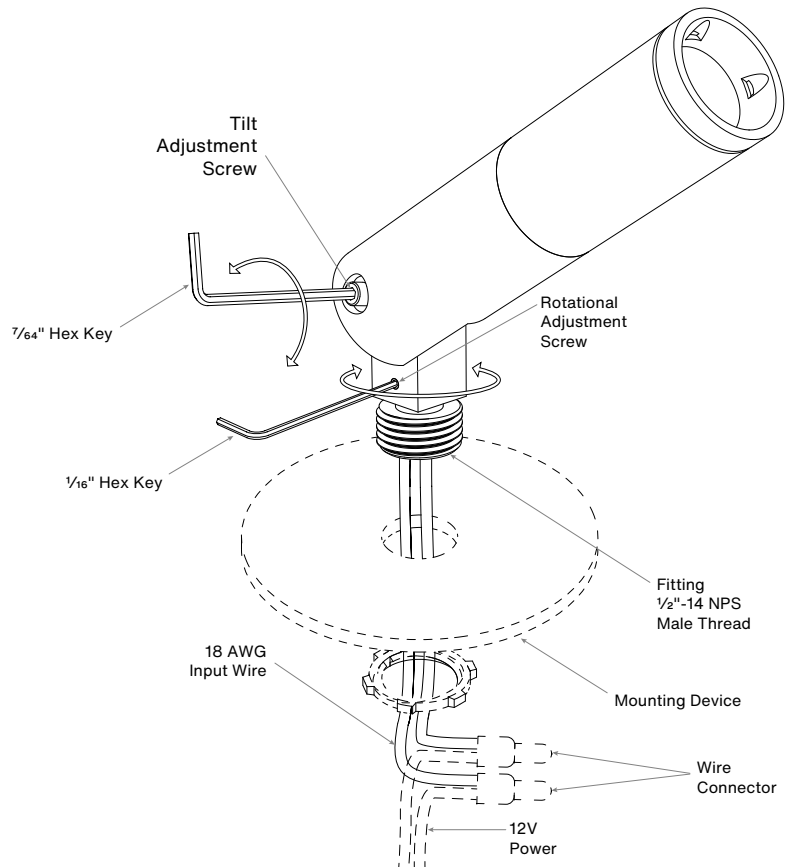
## Installation and Adjustment



### TURN OFF POWER BEFORE AND DURING WIRING TO POWER SUPPLY

*Installation/Service must be done by a qualified electrician, and compliant with NEC and Local Codes.*

- 1 Secure the fixture fitting to the 1/2" - 14 NPS female thread on mounting device (plate, box, spike, etc.).
- 2 Connect 18 AWG solid input wires to the 12V power source using appropriate wire connectors.
- 3 Secure the mounting device with the fixture to mounting surface. For HK original mounting accessory, see the individual instruction for further detail of the installation.
- 4 To adjust tilting position of fixture, loosen tilt adjustment screw with 7/64" hex key, aim the fixture body and tighten the screw to secure the fixture in place. Do not tighten more than necessary.
- 5 To adjust rotating position of the fixture, loosen rotation adjustment screw with 1/16" hex key, aim the fixture stem and tighten the screw to secure the fixture in place. Do not tighten more than necessary.

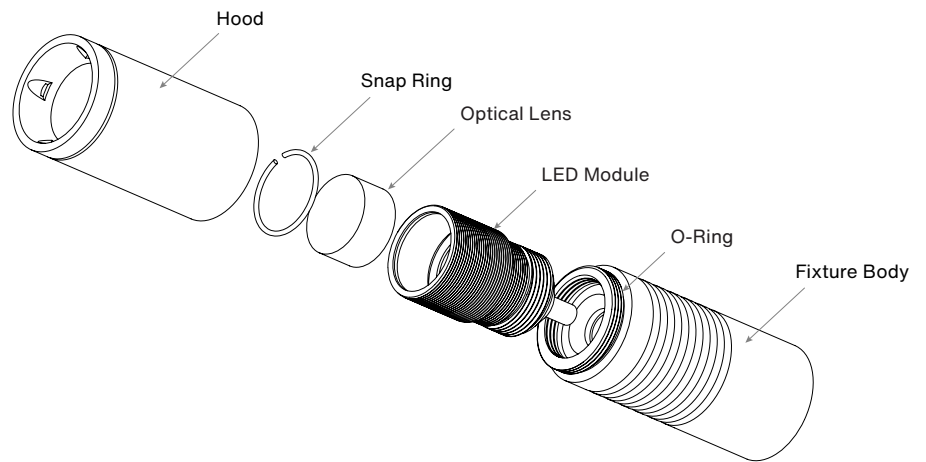


## Lamp and Reflector Replacement

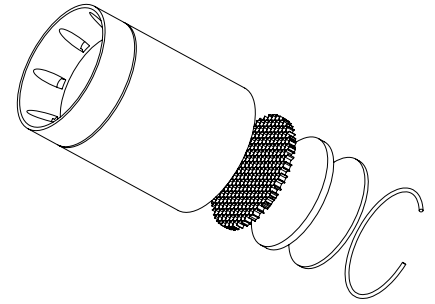
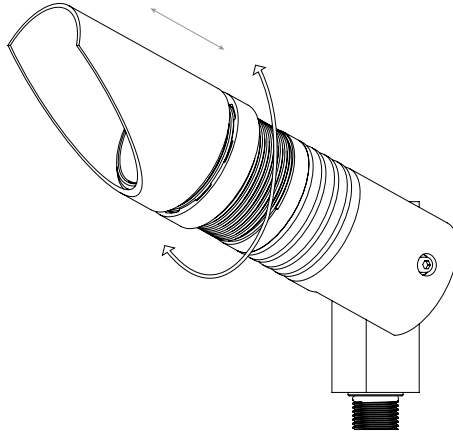
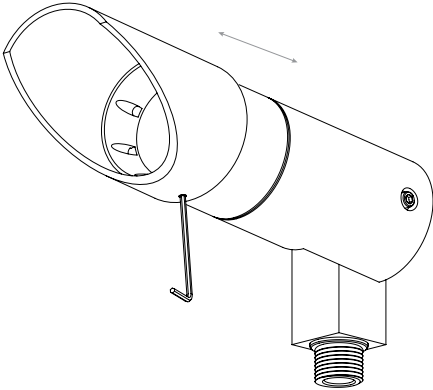


**TURN OFF POWER AND KEEP FIXTURE COOL DURING MAINTENANCE SERVICE**

- 1** Rotate threaded hood counter-clockwise to remove it from fixture body and access the LED module and reflector assembly.
- 2** Rotate the LED module and optical lens assembly counter-clockwise to remove it from the body.
- 3** Remove the optical lens from the LED module.
- 4** Replace LED module or optical lens as necessary and install the optical lens back onto the LED module.
- 5** Rotate the threaded LED module and optical lens assembly clockwise to secure it to the fixture body.
- 6** Thread fixture hood onto the fixture body and rotate clockwise. Ensure the O-ring is in the proper groove on the fixture body to maintain fixture watertight seal.



## Glare Shield Adjustment & Optical Accessory Setting



### Glare Shield Setting For A&B Hood

- 1 Use the  $\frac{5}{64}$ " hex key to loosen the set screw (8-32 UNC set screw) on the bottom of the glare shield, making sure the screw is not protruding inside the glare shield.
- 2 Slide the glare shield to the desired position, and tighten the set screw. (⚠ do not overtighten).

### Glare Shield Setting For C Hood

- 1 Rotate the locking ring clockwise to move to the desired position.
- 2 Rotate the glare shield clockwise and move to the locking ring.
- 3 Lock the glare shield in place by rotating the locking ring counter-clockwise.

### For Optical Accessory Setting

- 1 Rotate threaded hood counter-clockwise and remove it from fixture body.
- 2 The hood accepts up to 3 accessory optics (hexcel louver, optical lenses, etc.), which are secured in place with metal snap ring.
- 3 Pull out the snap ring from the hood.
- 4 Install or replace the optic accessory by placing it into the hood, against the lens.
- 5 Replace the snap ring into the hood and push it into the groove on the inside of the hood that holds the single or multiple accessories best.
- 6 Thread fixture hood onto the fixture body and rotate clockwise. Ensure the O-ring is in the proper groove on the fixture body to maintain fixture watertight seal.