

# ZXL08 Square

ACCENT & LANDSCAPE | ZX08 Series

3W (200lm) | 12V | HK LED, Amber

## INSTALLATION, MAINTENANCE & SERVICE



### Materials

6061-T6 Machined aluminum  
304 stainless steel hardware

### Fitting

1/2" - 14 NPS male thread

### Dimming

MLV / ELV

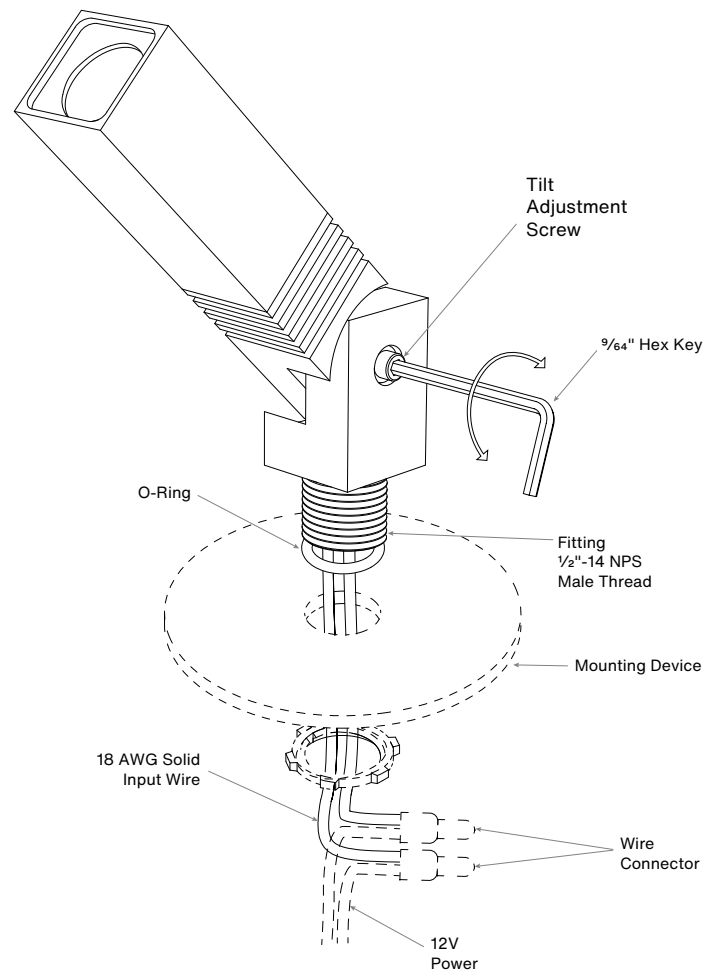
## Installation and Adjustment



### TURN OFF POWER BEFORE AND DURING WIRING TO POWER SUPPLY

*Installation/Service must be done by a qualified electrician, and compliant with NEC and Local Codes.*

- 1 Secure the fixture fitting to the 1/2" - 14 NPS female thread on mounting device (plate, box, spike, etc.).
- 2 Connect 18 AWG solid input wires to the 12V power source using appropriate wire connectors.
- 3 Secure the mounting device with the fixture to mounting surface. For HK original mounting accessory, see the individual instruction for further detail of the installation.
- 4 To adjust tilting position of fixture, loosen tilt adjustment screw with 9/64" hex key, aim the fixture body and tighten the screw to secure the fixture in place. Do not tighten more than necessary.

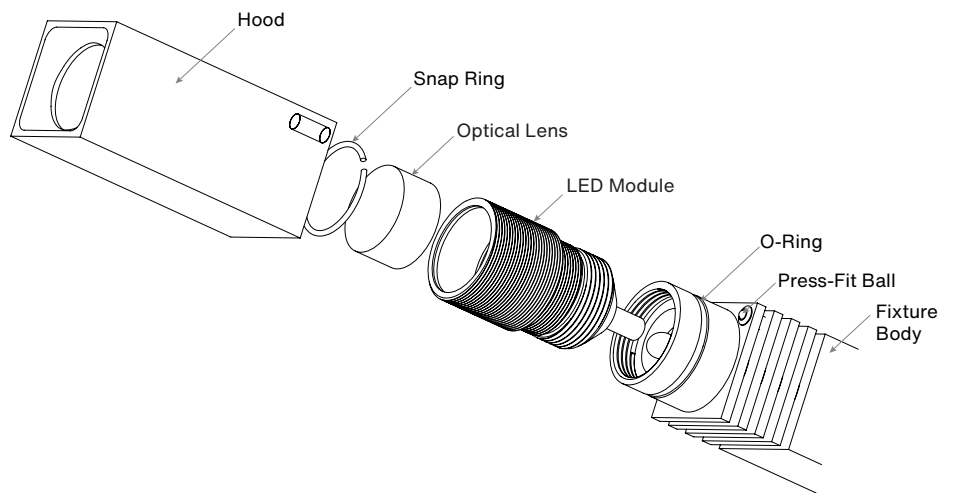


## Lamp and Reflector Replacement

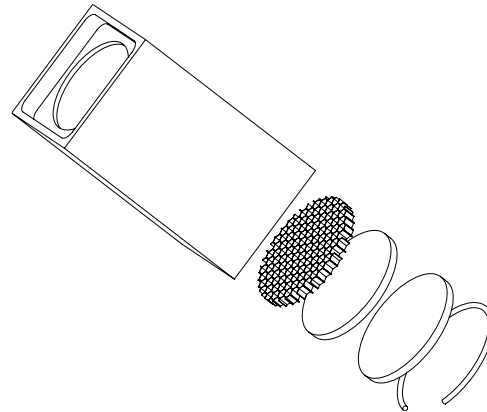
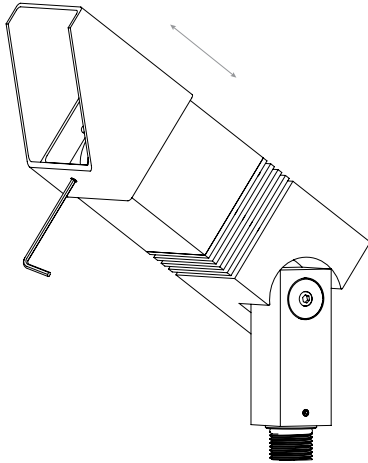


**TURN OFF POWER AND KEEP FIXTURE COOL DURING MAINTENANCE SERVICE**

- 1** Pull out the hood slowly from fixture body, and access the LED module and reflector assembly.
- 2** Rotate the LED module and optical lens assembly counter-clockwise to remove it from the body.
- 3** Remove the optical lens from the LED module.
- 4** Replace LED module or optical lens as necessary and install the optical lens back onto the LED module.
- 5** Replace the fixture hood onto the fixture body and ensure the Press-Fit Ball is aligned with the corresponding hole on the fixture hood. Make sure the O-ring is in the proper groove on the fixture body, to form a watertight seal.



## Glare Shield Adjustment & Optical Accessory Setting



### Glare Shield Setting

- 1 Use the  $\frac{5}{64}$ " hex key to loosen the screw (8-32 UNC set screw) on the bottom of the glare shield. Move the glare shield to the desired position, and tighten the screw (⚠ do not overtighten).

### For Optical Accessory Setting

- 1 Pull out the hood slowly from fixture body.
- 2 The hood accepts up to 3 accessories (hexcel louver, optical lenses, dichroic color filters, etc.). Secured in place with metal snap ring.
- 3 Pull out the snap ring from the hood.
- 4 Install or replace the accessory by placing it into the hood.
- 5 Replace the snap ring into the hood and push it into the groove (inside of the hood).
- 6 Replace the fixture hood onto the fixture body and adjust the hood to make the press-fit ball into the hole on the hood. Make sure the O-ring is in the proper groove on the fixture body, to form a watertight seal.

#### ADDITIONAL INSTRUCTIONS ON PROPER WIRING:

- a) The low-voltage cable shall be installed and routed in close proximity to the luminaire or fitting, or adjacent to a building structure such as a house or deck, in order to provide protection from physical damage.
- b) The low-voltage cable shall not be buried, except for a maximum length of 6 inches 15.2 cm when necessary to make the connection to the main low-voltage supply cable.
- c) The low-voltage cable shall be cut to length and connected to a listed connector located within 6 inches 15.2 cm of a building structure, luminaire, or fitting.