

TXM-20/40/60/100

ACCESSORIES | Transformers / Magnetic Transformer

FEATURES

- Landscape Transformer, 20W, 40W, 60W, or 100W.
- Damp rated coated metal enclosure conforms to UL STD 2108.
- 120VAC input - 12VAC output.
- MLV phase control dimming down to 30% when transformer is loaded to 50% or greater.
- Integrated junction box with multiple 7/8" knockouts.
- Weight: 2lbs (20W/40W), 3lbs (60W), 7lbs (100W)



Outdoor Magnetic Transformer Series

ORDERING GUIDE

EXAMPLE: **TXM-20-120**

MODEL	WATTAGE (VA)	PRIMARY VOLTAGE
TXM Compact, damp location magnetic transformer 12VAC Output MLV Dimming		120
	20 20 Watts	120 120V
	40 40 Watts	
	60 60 Watts	
	100 100 Watts	

SPECIFICATIONS

INPUT	20W	40W	60W	100W
Input Voltage Range	120VAC± 10%	120VAC± 10%	120VAC± 10%	120VAC± 10%
Input Frequency	50 / 60Hz	50 / 60Hz	50 / 60Hz	50 / 60Hz
Input Current	0.20A	0.36A	0.54A	1.20A
Efficiency	>89.8%	90.3%	>89.2%	91.5%

OUTPUT	20W	40W	60W	100W
Max Load	20W	40W	60W	100W
Output Voltage @ Max Load	11.4VAC	11.4VAC	11.5VAC	11.5VAC
Output Current @ Max Load	1.65A	3.32A	4.60A	8.34A
Open Circuit Output Voltage	12.5VAC	12.5VAC	12.5VAC	12.5VAC

ENVIRONMENTAL	20W	40W	60W	100W
Operating Temperature	-30°C to +45°C (-22°F to 113°F)	-30°C to +45°C (-22°F to 113°F)	-30°C to +45°C (-22°F to 113°F)	-30°C to +45°C (-22°F to 113°F)
Minimum Installation Spacing	5"	5"	5"	5"
Thermal Class	B130°C	B130°C	B130°C	B130°C

DIMMING	20W	40W	60W	100W
Minimum Dimming Level	1%	1%	1%	1%

PROTECTION	20W	40W	60W	100W
Circuit Breaker (Primary & Secondary)	Auto Reset	Auto Reset	Auto Reset	Manual Reset

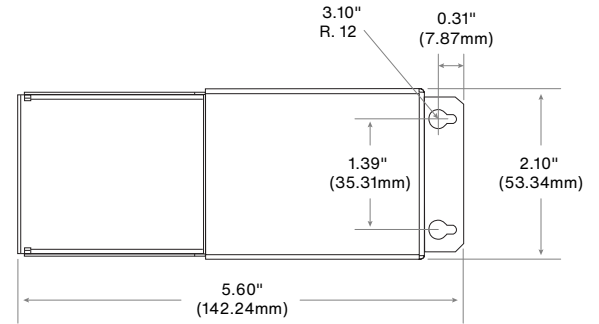
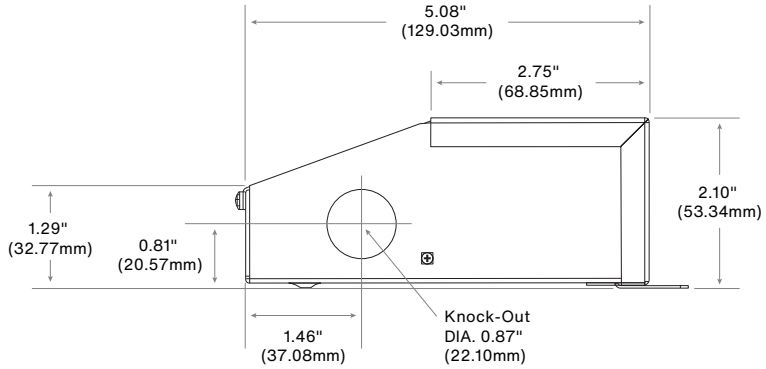
MECHANICAL HOUSING	20W	40W	60W	100W
Primary Leads	18AWG	18AWG	18AWG	18AWG
Secondary Leads	16AWG	16AWG	14AWG	12AWG
Length	5.60" (142.2mm)	5.60" (142.2mm)	6.55" (166.37mm)	9.80" (248.9mm)
Width	2.00" (50.8mm)	2.00" (50.8mm)	3.00" (76.2mm)	3.00" (76.2mm)
Height	2.14" (54.3mm)	2.14" (54.3mm)	2.55" (64.77mm)	3.00" (76.2mm)
Weight	2 lbs.	2 lbs.	3 lbs.	7 lbs.
Housing Material	Coated Metal	Coated Metal	Coated Metal	Coated Metal
Housing Color	Black	Black	Black	Black
Junction Box	Yes	Yes	Yes	Yes
Mounting	Two-hole flang	Two-hole flang	Two-hole flang	Two-hole flang

APPROVAL MARKINGS	20W	40W	60W	100W
Certificates / Approval Signs	ETL Listed Conforms to UL STD 2108 C22.2 No. 223	ETL Listed Conforms to UL STD 2108 C22.2 No. 223	ETL Listed Conforms to UL STD 2108 C22.2 No. 223	ETL Listed Conforms to UL STD 2108 C22.2 No. 223

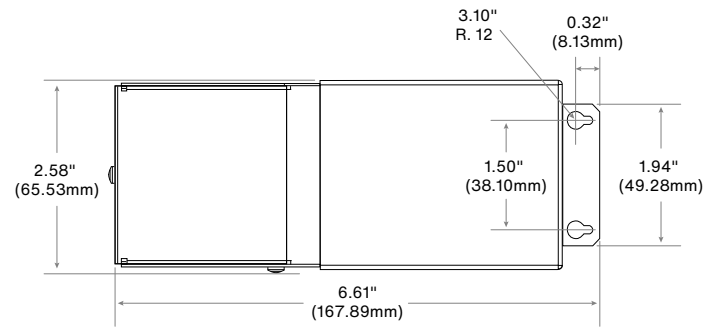
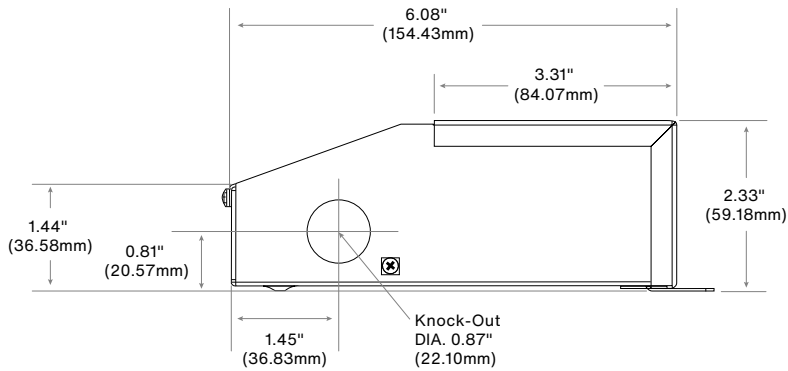
Notes:

PRODUCT DRAWINGS

20W / 40W



60W



100W

