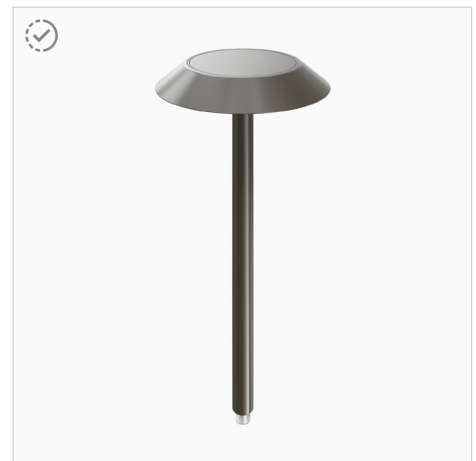


ZPLTR Trace

PATH & BOLLARD | Trace Series | 5" dia.
1-10W (120-810lm) | 12V | HK LED



Trace Center-Mount Path Light: ZPLTR-0RC-ABL



Trace Center-Mount Path Light with Modern Shade:
ZPLTR-0RC-ABR + TRSM-RD-ABR

FEATURES

- Versatile low voltage (12V) LED fixture designed for architectural outdoor and landscape path and ground area lighting applications.
- Minimalist center-mount design with a precision optical system delivering smooth, balanced 360° illumination.
- 1W, 3W, 7W, or 10W integrated HK LED delivers 120-810 lumens. Available in 2700K or 3000K CCT.
- Wet Location Listed. IP67 standard.
- Precision crafted from machined 6061-T6 aluminum and die-cast A360 aluminum components, then anodized and powder coated for a highly durable, corrosion-resistant, marine-grade finish.
- Available mounting heights of 18", 24", and custom lengths.
- Readymade eligible configurations ship in 2 weeks.

SPECIFICATIONS

<p>Materials</p> <p>LIGHT MOUNT: Solid billet 6061-T6 corrosion resistant aluminum with 316 stainless steel.</p> <p>LIGHT HEAD: Die Cast A360 corrosion resistant aluminum with 316 stainless steel hardware.</p> <p>SHADE: Die Cast A360 corrosion resistant aluminum.</p> <p>Finish</p> <p>Aluminum materials are first anodized and then powder coated for a robust, marine-grade finish.</p> <p>Shades</p> <p>Optional Modern or Pagoda architectural shade accessories.</p>	<p>Voltage</p> <p>12V AC/DC. Requires remote step down transformer.</p> <p>Wattage</p> <p>1W, 3W, 7W, 10W delivers 120-810 lumens.</p> <p>Dimming</p> <p>MLV or ELV phase control dimming, or secondary 12VAC dimming.</p> <p>Light Engine</p> <p>HK LED Light engine. CRI 90 Standard. Standard CCT options are 2700K, 3000K.</p>	<p>Optics</p> <p>Precision engineered polycarbonate optical lens with batwing distribution for smooth, even illumination.</p> <p>Mounting</p> <p>Mounts using 1/2"-14 NPS male fitting compatible with all HK Lighting Group mounting devices. <i>(See page 4 for details)</i></p> <p>Listings</p> <p>CSA Listed for Wet Location, IP67 Standard. RoHS Compliant. Meets Dark Sky requirements.</p>
---	--	---

ORDERING GUIDE

EXAMPLE: ZPLTR-0RC-ABL-012V03W-30-24

MODEL	PHYSICAL OPTIONS			MATERIAL /FINISH		POWER		LIGHT		EXTENSION SIZE		
ZPLTR	O	R	C			012V						
Trace Series Path Light Integrated HK LED	TYPE		SHAPE		ABL Aluminum Black	VOLTAGE		WATTAGE		CCT		
	O Low Voltage (12V)	R Round	C Center Mount (Symmetric Light)		ABR Aluminum Bronze	012V 12V AC	01W 1 Watt (120lm)	03W 3 Watts (315lm)	07W 7 Watts (610lm)	10W 10 Watts (810lm)	27 2700K	30 3000K
										18 18"	24 24"	
										CC Custom ²		

Readymade eligible configurations ship in 2 weeks

¹Where CC is the custom extension length in inches

ACCESSORIES (Not installed at time of order)

MOUNTING ACCESSORIES (Most common listed, see Page 4 for additional options)

GROUND MOUNT	
MHP	8" Plastic Single Prong Spike (12V)
MHCS-06	6" PVC Single Prong Spike (12V) ²
MHCS-12	12" PVC Single Prong Spike (12V)
MH02-06-BRZ	6" Stainless Steel 3-Prong Spike (12V) Bronze
MH02-12-BRZ	12" Stainless Steel 3-Prong Spike (12V) Bronze
MH02-12-TR-BRZ	12" Stainless Steel 3-Prong Spike Bronze, Theft Resistant
JB-1	Brass In-ground Junction Box
PLATE MOUNT	
CM1-XXX	3.75" Square Canopy Plate
CM3-XXX	4.75" Square Canopy Plate
CM5-XXX	5" Round Canopy Plate
SURFACE MOUNT	
CMLJ-XXX	2.7" Round Surface Box
CB4.0-XXX	4" Round Surface Box
CB5.5-XXX	5.5" Round Surface Box

SHADE ACCESSORIES

TRSM-RD-XXX	Modern Shade, Round
TRSP-RD-XXX	Pagoda Shade, Round

- Consult Accessory Spec Sheet for desired option code.
- XXX represents finish option.
- Readymade options available in ABL and ABR only unless noted by the part code.

² Due to the height of the ZPLTR product, single prong ground stake not recommended for use in soft soil

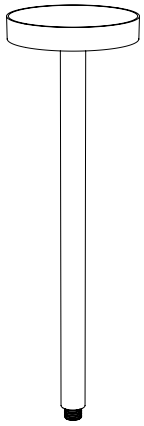
OUTDOOR MAGNETIC TRANSFORMERS (120V input/12VAC Output)

TRANSFORMERS (Go to [Accessories](#) for detailed specification)

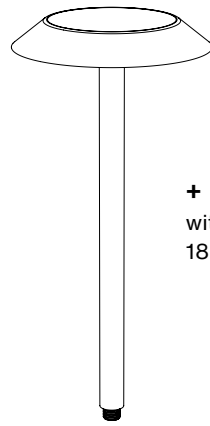
EXAMPLE: TXS-150-SS

MODEL		WATTAGE (VA)				PRIMARY VOLTAGE (VAC)	
TXM	Stainless steel, wet location outdoor magnetic transformer Multitap 12-15VAC Output MLV Dimming	150	300			OTR-SS (120V Only)	
TXS	Stainless steel, wet location outdoor magnetic transformer Multitap 12VAC Output MLV Dimming	150	300	600		SS (120V Only)	
TXM	Compact, damp location magnetic transformer 12VAC Output MLV Dimming	20	40	60	100	120	
IGT	In ground outdoor magnetic transformer 12VAC Output MLV Dimming	50 (120V Only)		100	300	600	120 277
TXE	In-fixture or near mounted electronic transformer 12VAC Output ELV Dimming Enclosure by others	60				120	277

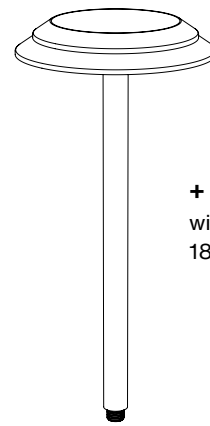
PRODUCT DRAWINGS



ZPLTR-ORC
Low Voltage
18" Extension

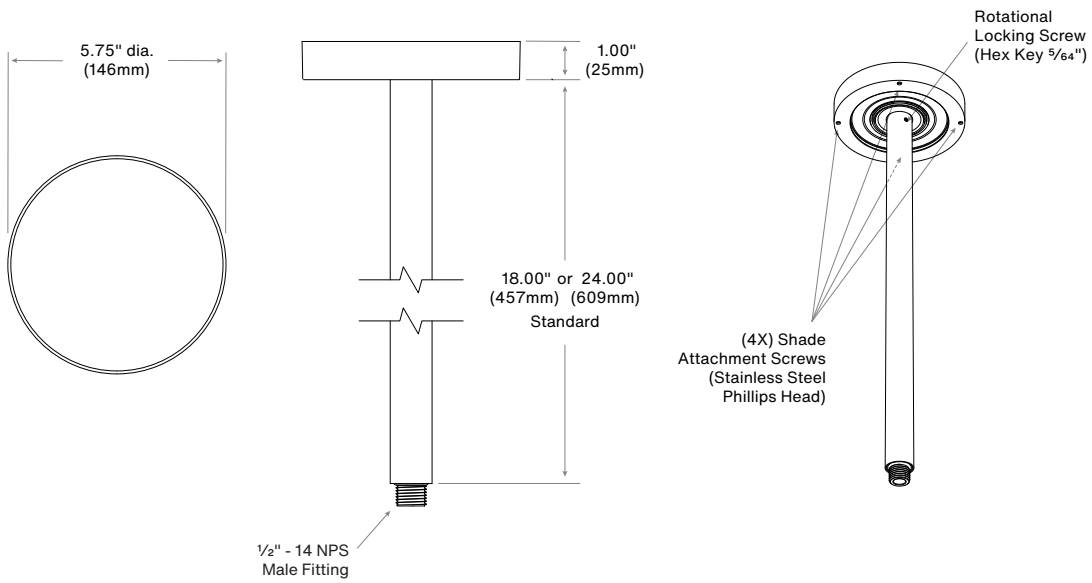


+ TRSM-RD
with Modern Shade
18" Extension



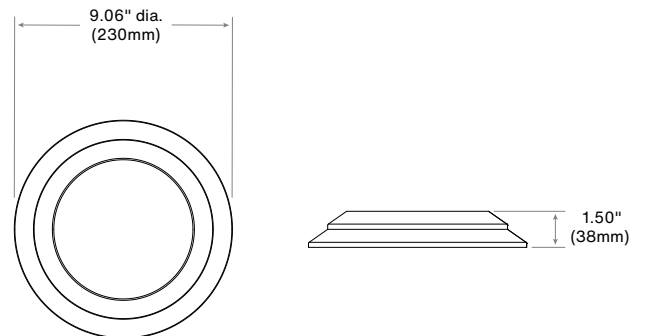
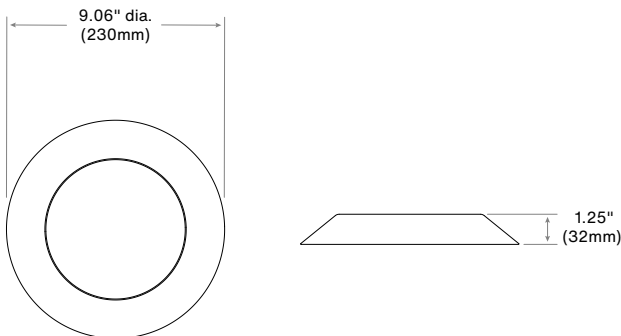
+ TRSP-RD
with Pagoda Shade
18" Extension

ZPLTR-ORC



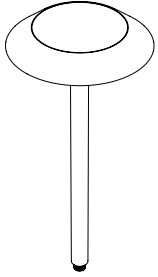
TRSM-RD (Modern Shade)

TRSP-RD (Pagoda Shade)



OPTIONS & ACCESSORIES

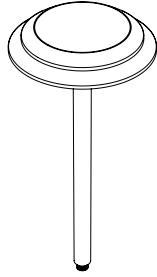
SHADE ACCESSORIES (Shade and Mounting Accessories are shipped separately for installation on site)



TRSM-RD

MODERN SHADE³

Minimal profile for contemporary and transitional designs.



TRSP-RD

PAGODA SHADE³

Architectural form for transitional and traditional designs.

³ Optional shades do not affect optical distribution or fixture spacing

MOUNTING ACCESSORIES

Go to [Accessories](#) for options and full specifications.

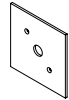
Plate Mount:



Fixture On CM5



CM1



CM3

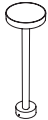


CM5



CM2

Surface Mount Box:



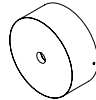
Fixture On CMLJ



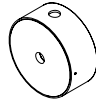
CMLJ



CB4.0



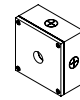
CB5.5



CB5.5-K/O



CB5.1



CB4.0-SQ

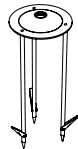


CB3.5

Ground Mount:



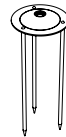
Fixture On MH02-12-TR



MH02-12-TR



MH02-06



MH02-12



MHP



MHCS



JB-1



MH02-T-06



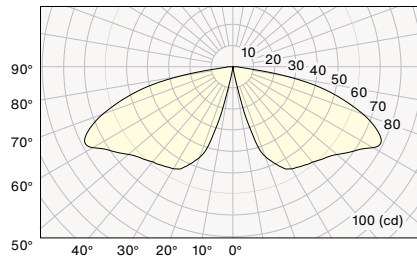
MH02-T-12

Ready-made eligible configurations ship in 2 to 4 weeks.

PHOTOMETRY & ENERGY DATA
ZPLTR Trace 3W

Input Power	3.31W
Color Temperature (CCT)	3000K
Color Rendering Index (Ra)	90+
Beam Angle	122°
Max. Candlepower	80cd
Delivered Lumens	315lm
Efficacy	95lm/W

Polar Graph - Intensity


WATTAGE MULTIPLIER

Wattage	Multiplier
1 Watt	0.38
3 Watt	1.00
7 Watt	1.94
10 Watt	2.57

CCT MULTIPLIER

Color Temp.	Multiplier
2700k	0.96
3000k	1.00

Notes: