

ZPLTR Trace Solar

PATH & BOLLARD | TRACE Series
1W (100lm) | Solar | HK LED

INSTALLATION, MAINTENANCE & SERVICE



Materials

6061-T6 machined aluminum
A360 die cast aluminum
316 stainless steel hardware

Fitting

1/2"-14 NPS male thread

Solar Collector

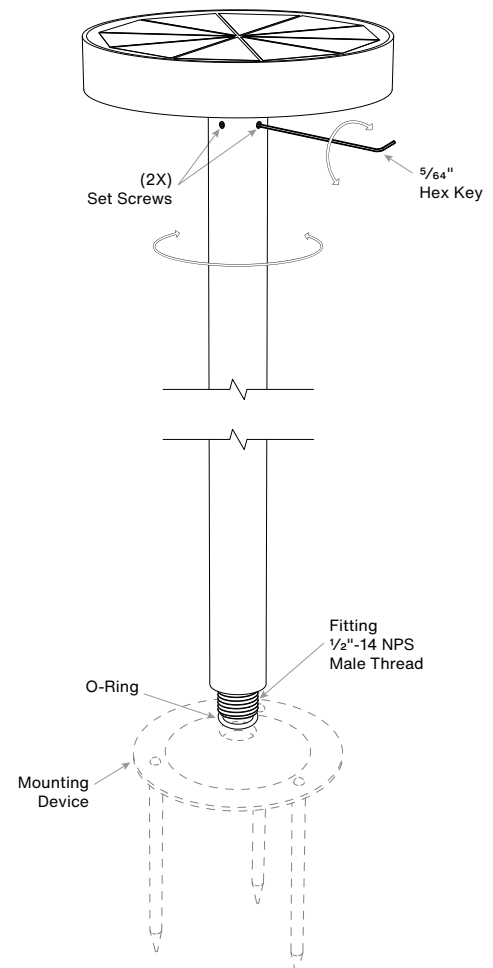
Photovoltaic

Trace Path Light Installation



TRACE FIXTURE MUST BE TURNED ON BEFORE INSTALLING OUTDOORS.

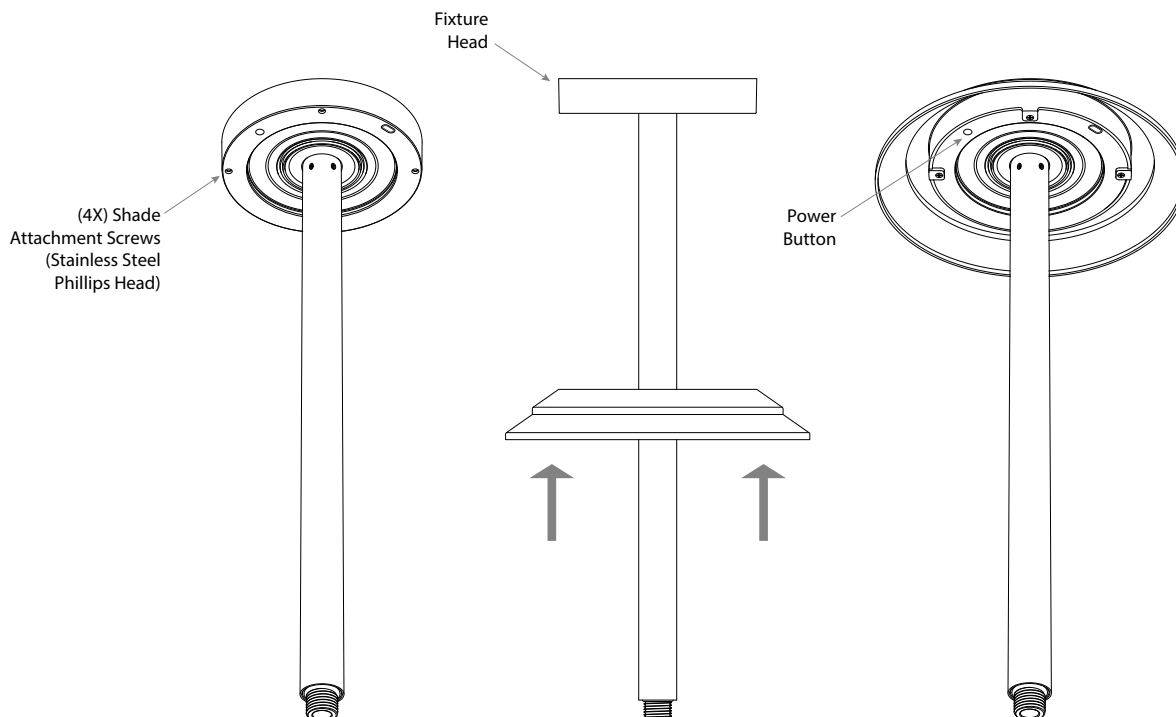
- 1 Remove the Trace fixture from the product box. Remove and discard the plastic shipping bag.
- 2 Locate the power button on the underside of the fixture top hat. The power button is a small, round button. Press once to turn the fixture on. Press again to turn the fixture off.
- 3 Prior to installation, press the power button once to turn the fixture on. To verify operation, cover the solar panel or place the fixture face down on a table to block light from reaching the solar panel. The light source should turn on. If the light source does not turn on, press the power button again and repeat the test.
- 4 If installing a decorative shade, refer to page 2 and install the shade at this point.
- 5 Secure the fixture fitting to the 1/2"-14 NPS female thread on the mounting device, such as a ground stake, box, canopy plate or other compatible accessory. For HK mounting accessories, refer to the individual installation instructions for additional details.
- 6 Secure the mounting device and fixture to the desired location on property.



Architectural Shade Installation (if present)

NOTE: Must install Architectural Shade before Trace Path Light installation.

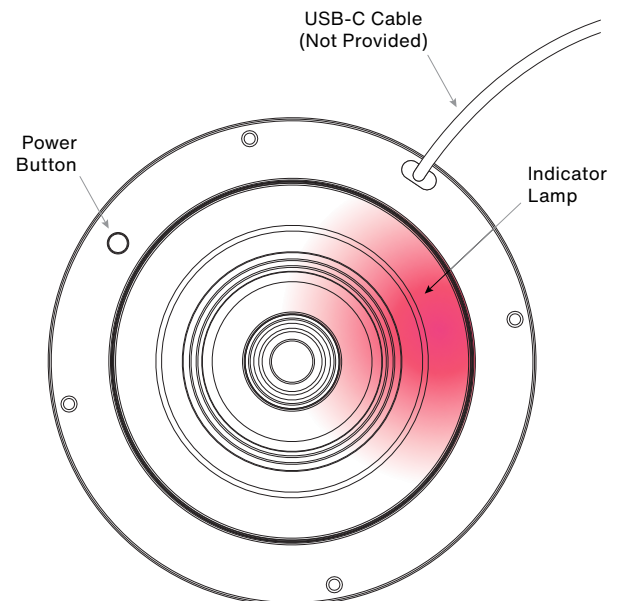
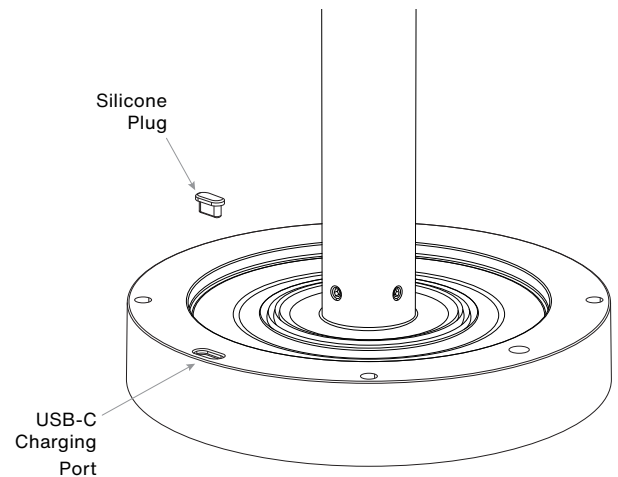
- 1 Using a Phillips head screwdriver, remove the stainless steel shade fastening screws from the underside of the fixture head.
- 2 Pass the architectural shade through the bottom of the fixture and position it against the fixture head.
- 3 Align the shade with the fixture head. Reinstall the stainless steel screws and secure the shade. Do not overtighten.
- 4 Install the fixture as intended.



Manual USB-C Charging

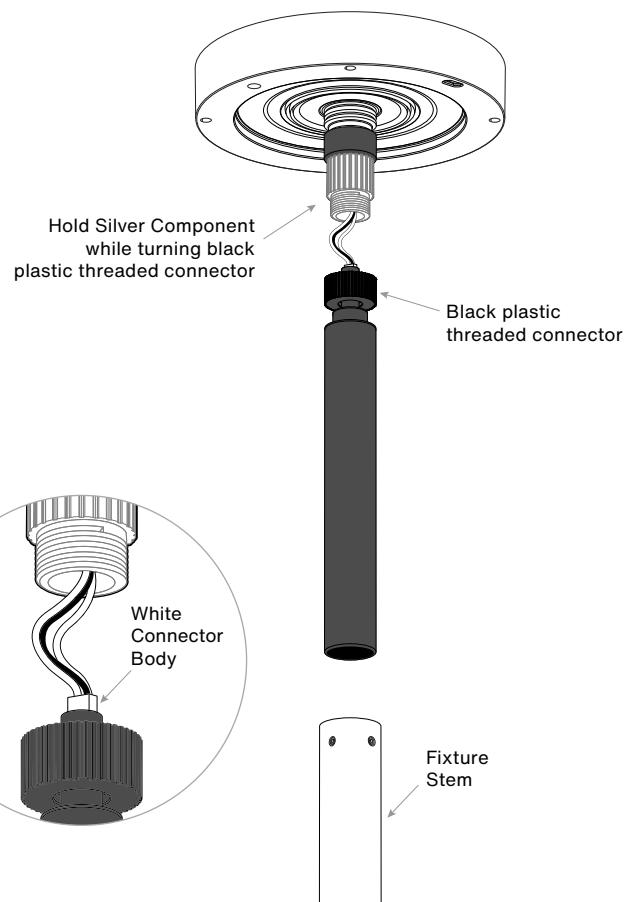
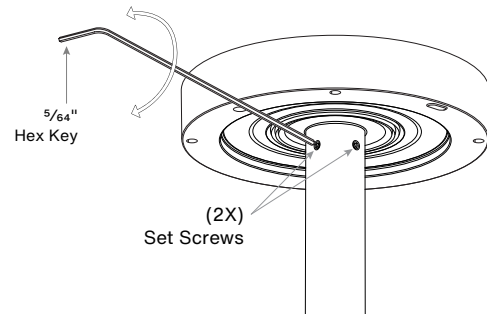
Use manual USB-C charging when the fixture has been turned off or stored for an extended period of time, or when the fixture will be used for temporary lighting applications such as special events or functions.

- 1 Locate the USB-C charging port on the underside of the fixture. The charging port is protected by a rectangular black silicone plug.
- 2 Remove the black silicone plug from the USB-C charging port. The plug acts as a watertight seal and should be reinstalled after charging is complete.
- 3 Plug the fixture into a standard USB-C charger using a compatible USB-C cable.
- 4 While charging, the red indicator light will slowly blink on and off. Once the fixture is fully charged (approximately 2–7 hours), the red indicator light will remain solid and stop blinking.
- 5 In rare cases, the red indicator light may turn off for approximately 4 seconds and turn on for approximately 1 second. This indicates that the battery voltage is very low. Continue charging the fixture. Once the battery voltage recovers, the indicator light should return to the normal charging pattern.
- 6 If the fixture does not return to the normal charging pattern or does not hold a charge after a full charging cycle, contact HK Lighting for a replacement battery module.
- 7 Once the fixture is fully charged and the red indicator light remains solid, the fixture may be installed for use. If the fixture is being charged for future use, press the power button to turn the fixture off, verify that the light source does not turn on when the solar panel is covered, and store the fixture in a cool, dry location until needed.
- 8 Approximate USB-C charging time is 2–7 hours, depending on the battery charge level. Deeply discharged batteries may require up to 7 hours to fully charge using USB-C. The fixture may also be charged by solar energy when placed in direct sunlight.



Battery Module Replacement

- 1** Locate the two set screws just below the top of the fixture, beneath the light source. Loosen both set screws using a $\frac{5}{64}$ " allen key. Set screws may back out of the fixture—do not lose them.
- 2** Once the set screws are loosened, pull the fixture stem down and away from the head assembly. The head assembly includes the light source, solar panel, and battery module.
- 3** Locate the black plastic threaded connector at the top of the battery module, below the silver intermediate component in the fixture stack-up. Hold the silver metal component stationary while turning the black plastic threaded connector counterclockwise to loosen it. Refer to the line drawing for additional clarity.
- 4** Carefully loosen the plastic threaded connector until the battery module releases from the head assembly. Support the battery module while loosening the connector so it does not drop.
- 5** Locate the white connector plugged into the top of the battery module. Grasp the white connector body and pull it out of the battery module. Do not pull on the wire leads, as this may damage the wires within the connector.
- 6** Take the replacement battery module provided by HK Lighting and plug it into the fixture wire harness (white connector). The connector is keyed and can only be installed in the correct orientation. Make sure the connector is fully seated.



Battery Module Replacement (Cont)

- 7 Thread the battery module back onto the bottom of the fixture head assembly and hand tighten. Do not use a wrench or other tool. Hand tight is sufficient.
- 8 If the silver intermediate component was loosened during removal, hand tighten it as well. If it was not loosened, no adjustment is required.
- 9 Retighten the two set screws using light hand pressure only. DO NOT overtighten, as this may strip the screws or damage the fixture.
- 10 Once the battery module has been replaced, power the unit on as described on page 1 and reinstall the fixture.

DISPOSE OF THE USED LITHIUM-ION BATTERY IN ACCORDANCE WITH LOCAL REGULATIONS. DO NOT DISPOSE OF LITHIUM-ION BATTERIES IN HOUSEHOLD TRASH.

