

# ZD16 GU10



(includes former ZX16-CM-GU10 & ZX16-CM-GU10-SOi models)

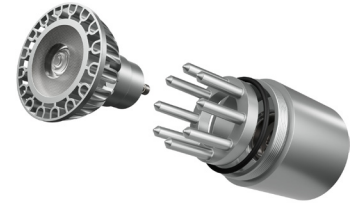
DOWNLIGHT | ZD16 Series | 2.25" dia.  
7.5W (640lm) | 120V, 230V | SORAA, LED Lamp, Halogen

## FEATURES

- Compact 2.25" round, GU10 lamp-based, line-voltage downlight for architectural outdoor applications.
- Flexible lamp configurations support SORAA® LED lamps with integrated heat sink or compatible GU10 LED and halogen lamps.
- Wet Location Listed, IP65 Standard.
- Machined from solid billet aircraft-grade (6061-T6), corrosion-resistant aluminum, then anodized and powder coated to create a highly durable, marine-grade finish. Also available in solid brass or stainless steel.
- Accepts up to three optical accessories, including hexcel louvers, spread lenses, and color filters.
- Available with adjustable angled, long, and short glare shields, with canopy and surface mounting options.
- Every fixture tested end of line for water tightness and light quality.



SORAA GU10 Downlight: ZD16-1R1SB-AWH



### Integral SORAA Heat Sink

US patented Thermobuster™ provides extra heat dissipation that reduces the lamp junction temperature by 77°F (25°C). Enables even the highest wattage SORAA lamps to be used in an enclosed fixture without sacrificing its performance or life expectancy.

## SPECIFICATIONS

<p><b>Materials</b></p> <p>Machined from solid billet 6061-T6 corrosion-resistant aluminum with 316 stainless steel hardware. Available in 316 stainless steel or 360 brass upon request.</p> <p><b>Finish</b></p> <p>Aluminum materials are anodized and then powder coated for a robust, marine-grade finish. Stainless steel and brass models are provided with brushed surface.</p> <p><b>Hood and Glare Shield</b></p> <p>Non-weeping Hood Styles. Set screw or threaded Angled, Short, or Long Glare Shields. (See page 4 for details)</p>	<p><b>Voltage</b></p> <p>120V or 230V AC.</p> <p><b>Wattage</b></p> <p>Max 9W for SORAA lamp with Thermobuster. Max 50W for halogen lamp.</p> <p><b>Light Engine</b></p> <p>GU10 Halogen or GU10 SORAA LED lamp. Compatible with SORAA Brilliant HL and other 120V GU10 lamp selections. (See Ordering Guide for available lamp options and specifications)</p> <p><b>Dimming</b></p> <p>MLV, ELV Phase Control Dimming at 120V. Please refer to website for <a href="#">SORAA GU10</a> dimmer compatibility.</p>	<p><b>Optics</b></p> <p>Provided SORAA Lamp delivers 10° beam spread. Select optional SORAA Snap System Beam Spreader magnetic lenses to expand optical beam up to 60°. Accepts up to 3 accessory pieces (hexcel louver, optical lenses, etc.). Secured in place with metal snap ring. (See Ordering Guide for available SORAA lamp options)</p> <p><b>Mounting</b></p> <p>Includes CM5 5" Canopy Plate and (2X) 8-32 UNC machine screws to attach to a standard 30 or 3R recessed back box (provided by others).</p> <p><b>Listings</b></p> <p>ETL Listed for Wet Location, IP65 Standard. RoHS Compliant.</p>
--	---	---

## ORDERING GUIDE

EXAMPLE: ZD16-1R1SB-ABL-120VSL-08750-GSA-LVR-CM5-ABL

MODEL	PHYSICAL OPTIONS				MATERIAL / FINISH		LIGHT ENGINE				
<b>ZD16</b> ZD16 Series 2.25" Downlight SORAA LED, LED Lamp or Halogen Lamp Line Voltage (GU10)	<b>1R1</b> Line Voltage, Round Light	<b>STYLE</b>		<b>HOOD</b>				<b>VOLTAGE</b>		<b>LAMP</b>	
		<b>S</b> Standard <b>F</b> Finned	<b>B</b> B Style: No Weep Holes <b>C</b> C Style: Threaded, Weeping	<b>ABL</b> Aluminum Black <b>ABR</b> Aluminum Bronze <b>AWH</b> Aluminum White <b>AAC</b> Aluminum Anodized Clear <sup>1</sup> <b>NBR</b> Natural Brass <sup>1</sup> <b>NCU</b> Natural Copper <sup>1</sup> <b>NSS</b> Natural Stainless Steel <sup>1</sup> <b>CCC</b> Custom Finish <sup>1</sup>	<b>120V</b> 120V AC (GU10 Lamp) <b>230V</b> 230V AC (GU10 Lamp)	<b>NL</b> No Lamp <sup>2</sup> <b>SL</b> SORAA Lamp Included <sup>3</sup> <b>SN</b> SORAA Lamp Not Included <sup>3</sup> <b>CC</b> Custom Lamp Included					

<sup>1</sup> Consult factory for specialty finish quoting and lead times

<sup>2</sup> Compatible with halogen lamp

<sup>3</sup> Only compatible with SORAA LED Lamp

<sup>4</sup> 120V Only. Use SORAA Snap System Beam Spreader lenses to expand optical beams up to 60°

<sup>5</sup> Mounts to 3R & 3O style junction boxes

## OPTIONAL INSTALLED ACCESSORIES

SORAA LAMP		GLARE SHIELD		OPTIC		MOUNTING (Most common listed, see Page 4 for additional options)	
XXXXX	SORAA LED Lamp Code	<b>GSA</b>	B Glare Shield Angled	<b>LVR</b>	Hexcel Louver	<b>CANOPY MOUNT</b>	
<b>08742</b>	SORAA Brilliant HL (7.5W, 10°, 2700K) Included <sup>4</sup>	<b>GSL</b>	B Glare Shield Long	<b>OSL</b>	Overall Spread Lens	<b>CM5-XXX</b>	5" Round Canopy Plate (Included) <sup>3</sup>
<b>08750</b>	SORAA Brilliant HL (7.5W, 10°, 3000K) Included <sup>4</sup>	<b>GSS</b>	B Glare Shield Short	<b>LSL</b>	Linear Spread Lens	<b>CM1-XXX</b>	3.75" Square Canopy Plate
		<b>CGSA</b>	C Glare Shield Angled	<b>SOL</b>	Solite Soft Focus	<b>CM3-XXX</b>	4.75" Square Canopy Plate
		<b>CGSL</b>	C Glare Shield Long	<b>DCF</b>	Dichroic Filter	<b>SURFACE MOUNT</b>	
		<b>CGSS</b>	C Glare Shield Short			<b>CB4.0-XXX</b>	4" Round Surface Box
						<b>CB5.5-XXX</b>	5.5" Round Surface Box

• Consult Accessory Spec Sheet for desired option code

• XXX represents finish option

## ADDITIONAL ACCESSORIES (Not installed at time of order)

### GLARE SHIELD ACCESSORIES

<b>GSL-16-XXX</b>	B Glare Shield Long
<b>GSA-16-XXX</b>	B Glare Shield Angled
<b>GSS-16-XXX</b>	B Glare Shield Short
<b>CGSL-16-XXX</b>	C Glare Shield Long
<b>CGSA-16-XXX</b>	C Glare Shield Angled
<b>CGSS-16-XXX</b>	C Glare Shield Short

### OPTIC ACCESSORIES

<b>LVR-16</b>	Hexcel Louver
<b>OSL-16</b>	Overall Spread Lens
<b>LSL-16</b>	Linear Spread Lens
<b>SOL-16</b>	Solite Soft Focus
<b>DCF-16</b>	Dichroic Filter

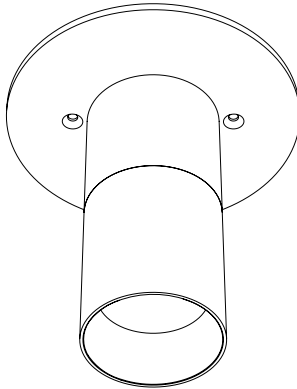
### SORAA LAMP

<b>SL-08742</b>	SORAA Brilliant HL (7.5W, 10°, 2700K) <sup>4</sup>
<b>SL-08750</b>	SORAA Brilliant HL (7.5W, 10°, 3000K) <sup>4</sup>

### SORAA SNAP SYSTEM BEAM SPREADER

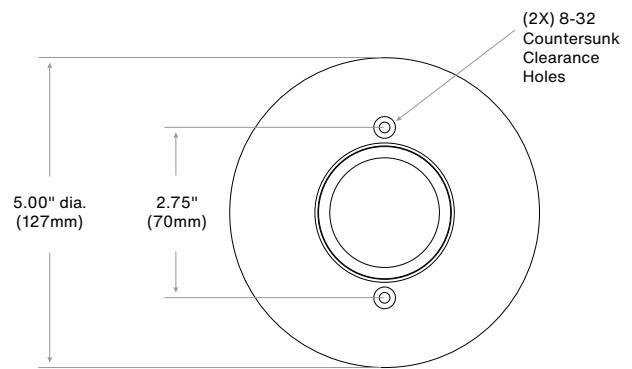
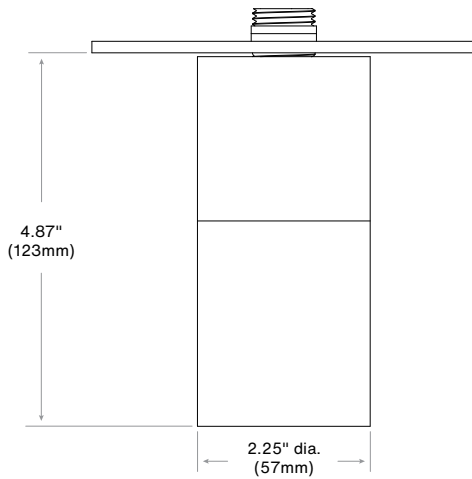
<b>ALASO-SNAP17-03263</b>	SORAA SNAP 17° Beam Spreader
<b>ALASO-SNAP25-00325</b>	SORAA SNAP 25° Beam Spreader
<b>ALASO-SNAP36-00327</b>	SORAA SNAP 36° Beam Spreader
<b>ALASO-SNAP60-00329</b>	SORAA SNAP 60° Beam Spreader

**PRODUCT DRAWINGS**



**ZD16-1R1SB**  
Standard

**ZD16-1R1SB**

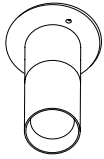


**Notes:**

Blank area for notes.

## OPTIONS & ACCESSORIES

### HOOD OPTIONS



#### B HOOD

Regressed lens for glare control. Suggested for downlighting and interior applications.



#### C HOOD

Designed for permanent use with a glare shield and innovative drainage design for water and debris. The machined threads enable ongoing glare shield adjustment, without impact to the paint surface.

### OPTIONAL GLARE SHIELD

For use with B Hood, fastened with Set Screw



**GSA**  
(angle)



**GSL**  
(long)



**GSS**  
(short)

For use with C Hood fastened with Locking Ring



**CGSA**  
(angle)



**CGSL**  
(long)

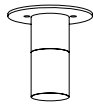


**CGSS**  
(short)



### INCLUDED MOUNTING ACCESSORIES

#### Canopy Mount:



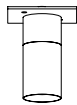
Fixture On CM5



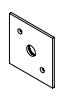
CM5

### OPTIONAL MOUNTING ACCESSORIES

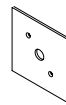
#### Canopy Mount:



Fixture On CM3

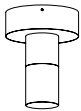


CM1



CM3

#### Surface Mount Box:



Fixture On CB5.5



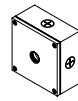
CMLJ



CB3.5



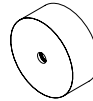
CB4.0



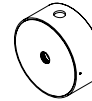
CB4.0-SQ



CB5.1



CB5.5



CB5.5-K/O

## PHOTOMETRY & ENERGY DATA

All SORAA GU10 base lamps can be used in this fixture. Please refer to SORAA website: [SORAA GU10](http://www.soraa.com)