

# ZD16 Square GU10



(includes former ZX16-CM-SQ-GU10 & ZX16-CM-SQ-GU10-SOi models)

DOWNLIGHT | ZD16 Series | 2.25" dia.  
7.5W (640lm) | 120V, 230V | SORAA, LED Lamp, Halogen

## FEATURES

- Compact 2.25" square, GU10 lamp-based, line-voltage downlight for architectural outdoor applications.
- Flexible lamp configurations support SORAA® LED lamps with integrated heat sink or compatible GU10 LED and halogen lamps.
- Wet Location Listed, IP65 Standard.
- Machined from solid billet aircraft-grade (6061-T6), corrosion-resistant aluminum, then anodized and powder coated to create a highly durable, marine-grade finish. Also available in solid brass or stainless steel.
- Accepts up to three optical accessories, including hexcel louvers, spread lenses, and color filters.
- Available with adjustable angled, long, and short glare shields, with canopy and surface mounting options.
- Every fixture tested end of line for water tightness and light quality.



SORAA Square GU10 Downlight: ZD16-IS1SB-NBR



### Integral SORAA Heat Sink

US patented Thermobuster™ provides extra heat dissipation that reduces the lamp junction temperature by 77°F(25°C). Enables even the highest wattage SORAA lamps to be used in an enclosed fixture without sacrificing its performance or life expectancy.

## SPECIFICATIONS

<p><b>Materials</b></p> <p>Machined from solid billet 6061-T6 corrosion-resistant aluminum with 316 stainless steel hardware. Available in 316 stainless steel or 360 brass upon request.</p> <p><b>Finish</b></p> <p>Aluminum materials are anodized and then powder coated for a robust, marine-grade finish. Stainless steel and brass models are provided with brushed surface.</p> <p><b>Hood and Glare Shield</b></p> <p>Non-weeping Hood Style. Set screw mounted Angled, Short, or Long Glare Shields. (See page 4 for details)</p>	<p><b>Voltage</b></p> <p>120V or 230V AC.</p> <p><b>Wattage</b></p> <p>Max 9W for SORAA GU10 lamp with Thermobuster. Max 50W for halogen lamp.</p> <p><b>Light Engine</b></p> <p>GU10 Halogen or GU10 SORAA LED lamp. Compatible with SORAA Brilliant HL and other 120V GU10 lamp selections. (See <i>Ordering Guide for available lamp options and specifications</i>)</p> <p><b>Dimming</b></p> <p>MLV, ELV Phase Control Dimming at 120V. Please refer to website for <a href="#">SORAA GU10</a> dimmer compatibility.</p>	<p><b>Optics</b></p> <p>Provided SORAA Lamp delivers 10° beam spread. Select optional SORAA Snap System Beam Spreader magnetic lenses to expand optical beam up to 60°. Accepts up to 3 accessory pieces (hexcel louver, optical lenses, etc.). Secured in place with metal snap ring. (See <i>Ordering Guide for available SORAA lamp options</i>).</p> <p><b>Mounting</b></p> <p>Includes CM3 4.75" Canopy Plate (2X) 8-32 UNC machine screws (provided) to attach to a standard octagon recessed back box (provided by others).</p> <p><b>Listings</b></p> <p>ETL Listed for Wet Location, IP65 Standard. RoHS Compliant.</p>
---	---	--

## ORDERING GUIDE

 EXAMPLE: **ZD16-1S1SB-ABL-120VSL-08750-GSA-LVR-CM3-ABL**

MODEL	PHYSICAL OPTIONS			MATERIAL / FINISH		LIGHT ENGINE			
<b>ZD16</b>	<b>IS1</b>								
ZD16 Series 2.25" Downlight SORAA LED, LED Lamp or Halogen Lamp Line Voltage (GU10)	<b>TYPE</b>	<b>STYLE</b>	<b>HOOD</b>	<b>ABL</b> Aluminum Black		<b>VOLTAGE</b>		<b>LAMP</b>	
	<b>IS1</b> Line Voltage, Square Light	<b>S</b> Standard <b>F</b> Finned	<b>B</b> B Style: No Weep Holes	<b>ABR</b> Aluminum Bronze		<b>120V</b> 120V AC (GU10 Lamp)		<b>NL</b> No Lamp <sup>2</sup>	
				<b>AWH</b> Aluminum White		<b>230V</b> 230V AC (GU10 Lamp)		<b>SL</b> SORAA Lamp Included <sup>3</sup>	
				<b>AAC</b> Aluminum Anodized Clear <sup>1</sup>				<b>SN</b> SORAA Lamp Not Included <sup>3</sup>	
				<b>NBR</b> Natural Brass <sup>1</sup>				<b>CC</b> Custom Lamp Included	
				<b>NCU</b> Natural Copper <sup>1</sup>					
				<b>NSS</b> Natural Stainless Steel <sup>1</sup>					
				<b>CCC</b> Custom Finish <sup>1</sup>					

<sup>1</sup> Consult factory for specialty finish quoting and lead times

<sup>2</sup> Compatible with halogen lamp

<sup>3</sup> Only compatible with SORAA LED Lamp

<sup>4</sup> 120V Only. Use SORAA Snap System Beam Spreader lenses to expand optical beams up to 60°

<sup>5</sup> Mounts to 3R & 3O style junction boxes

## OPTIONAL INSTALLED ACCESSORIES

SORAA LAMP		GLARE SHIELD		OPTIC		MOUNTING (Most common listed, see Page 4 for additional options)	
<b>XXXXX</b>	SORAA LED Lamp Code	<b>GSA</b>	B Glare Shield Angled	<b>LVR</b>	Hexcel Louver	<b>CANOPY MOUNT</b>	
<b>08742</b>	SORAA Brilliant HL (7.5W, 10°, 2700K) Included <sup>4</sup>	<b>GSL</b>	B Glare Shield Long	<b>OSL</b>	Overall Spread Lens	<b>CM3-XXX</b>	4.75" Square Canopy Plate (Included) <sup>3</sup>
<b>08750</b>	SORAA Brilliant HL (7.5W, 10°, 3000K) Included <sup>4</sup>	<b>GSS</b>	B Glare Shield Short	<b>LSL</b>	Linear Spread Lens	<b>CM1-XXX</b>	3.75" Square Canopy Plate
				<b>SOL</b>	Solite Soft Focus	<b>SURFACE MOUNT</b>	
				<b>DCF</b>	Dichroic Filter	<b>CB4.0-XXX</b>	4" Round Surface Box
						<b>CB5.5-XXX</b>	5.5" Round Surface Box

• Consult Accessory Spec Sheet for desired option code

• XXX represents finish option

## ADDITIONAL ACCESSORIES (Not installed at time of order)

### GLARE SHIELD ACCESSORIES

<b>GSL-SQ-16-XXX</b>	Square Glare Shield Long
<b>GSA-SQ-16-XXX</b>	Square Glare Shield Angled
<b>GSS-SQ-16-XXX</b>	Square Glare Shield Short

### OPTIC ACCESSORIES

<b>LVR-16</b>	Hexcel Louver
<b>OSL-16</b>	Overall Spread Lens
<b>LSL-16</b>	Linear Spread Lens
<b>SOL-16</b>	Solite Soft Focus
<b>DCF-16</b>	Dichroic Filter

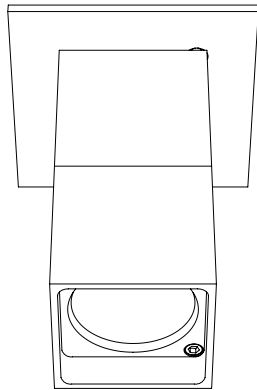
### SORAA LAMP

<b>SL-08742</b>	SORAA Brilliant HL (7.5W, 10°, 2700K) <sup>4</sup>
<b>SL-08750</b>	SORAA Brilliant HL (7.5W, 10°, 3000K) <sup>4</sup>

### SORAA SNAP SYSTEM BEAM SPREADER

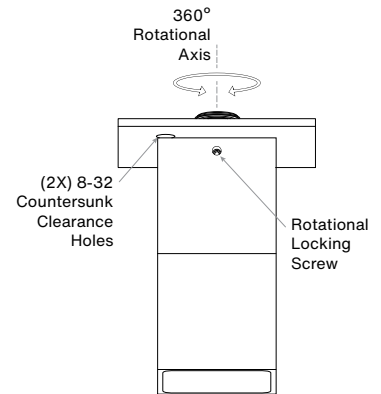
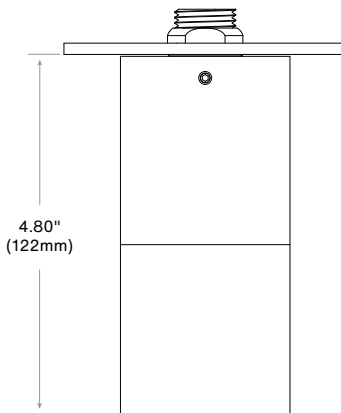
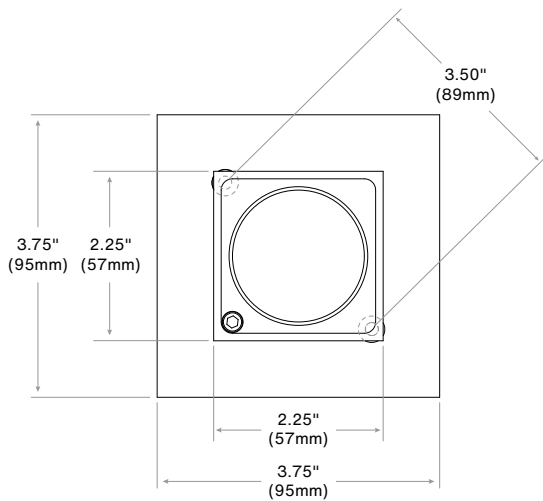
<b>ALASO-SNAP17-03263</b>	SORAA SNAP 17° Beam Spreader
<b>ALASO-SNAP25-00325</b>	SORAA SNAP 25° Beam Spreader
<b>ALASO-SNAP36-00327</b>	SORAA SNAP 36° Beam Spreader
<b>ALASO-SNAP60-00329</b>	SORAA SNAP 60° Beam Spreader

**PRODUCT DRAWINGS**



**ZD16-1S1SB**  
Standard

**ZD16-IS1SB**



**Notes:**



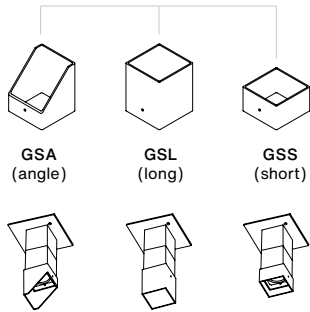
## OPTIONS & ACCESSORIES

---

### OPTIONAL GLARE SHIELD

---

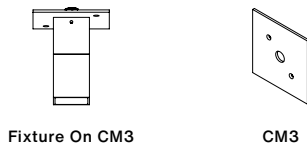
For use with B Hood  
Fastened with Set Screw



### INCLUDED MOUNTING ACCESSORIES

---

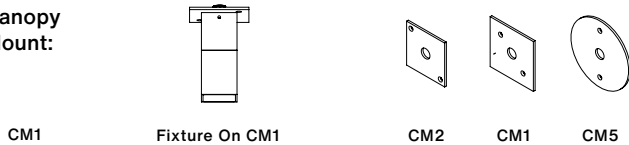
Canopy Mount:



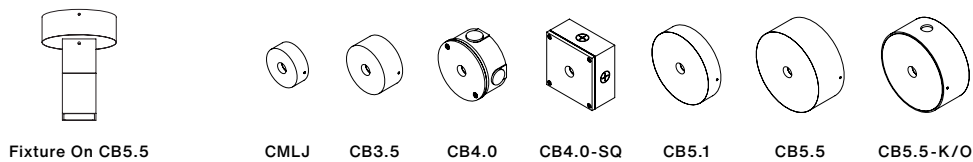
### OPTIONAL MOUNTING ACCESSORIES

---

Canopy Mount:



Surface Mount Box:



## PHOTOMETRY & ENERGY DATA

---

All SORAA GU10 base lamps can be used in this fixture.  
Please refer to SORAA website: [SORAA GU10](https://www.soraa.com/gu10)