

ZDL16-I Square

(includes former ZXL16i-CM-SQ & ZXL16i-CM-SQ-NF models)



DOWNLIGHT | ZD16 Series | 2.25"

5-10W (400-1000lm) | 120V-277V | HK LED, RGBW

FEATURES

- Compact 2.25" square, integrated LED, line-voltage downlight for architectural outdoor applications.
- 5W, 7W, 10W integrated HK LED delivering 400-1000 lumens. 2200-4000K CCT, including specialty RGBW option.
- Wet Location Listed, IP65 Standard.
- Machined from solid aircraft grade (6061-T6), corrosion-resistant aluminum, then anodized and powder coated to create a highly durable, marine-grade finish. Also available in solid brass or stainless steel.
- Modular component design with configurable optical beam angles and accessory lenses.
- Includes CM3 4.75" canopy plate. Adjustable angled, long, and short glare shields, along with additional canopy and surface mount options, are available.
- Every fixture tested end of line for water tightness and light quality.



Line Voltage Square Downlight - Standard: ZDL16-IS1SB-ABR



Line Voltage Square Downlight - Finned: ZDL16-IS1FB-NBR

SPECIFICATIONS

<p>Materials</p> <p>Solid billet 6061-T6 corrosion-resistant aluminum with 304 stainless steel hardware.</p> <p>Finish</p> <p>Aluminum materials are first anodized and then powder coated for a robust, marine-grade finish. Stainless steel and brass models are provided with brushed surface.</p> <p>Hood and Glare Shield</p> <p>Non-weeping Hood Style. Set screw mounted Angled, Short, or Long Glare Shields. (See page 4 for details)</p>	<p>Voltage</p> <p>120V-277V AC.</p> <p>Wattage</p> <p>5, 7, or 10W HK LED delivers 400-1000 lumens.</p> <p>Light Engine</p> <p>CRI 90 Standard. Available in CRI 80 or CRI 95 upon request. Standard CCT options are 2700K, 3000K, 3500K, 4000K. Specialty 2200K, 2400K, 2500K, and RGBW options available. Consult factory for specialty LED specification details.</p> <p>Driver/Dimming</p> <p>Onboard, Integrated LED Driver Phase Control @120V, 0V-10V @120V-277V, DALI or DMX control available, consult factory for details.</p>	<p>Optics</p> <p>Narrow (20°), Medium (33°), Wide (44°), and Extra Wide (57°) beam spread options available. Accepts up to 3 optical accessories (hexcel louver, optical lenses, dichroic color filters, etc.) Secured in place with metal snap ring.</p> <p>Mounting</p> <p>Includes CM3 4.75" Square Canopy Plate and (2X) 8-32 UNC machine screws (provided) to attach to a standard octagon recessed back box (provided by others).</p> <p>Listings</p> <p>ETL Listed for Wet Location, IP65 Standard. RoHS Compliant.</p>
---	--	---

ORDERING GUIDE

EXAMPLE: ZDL16-IS1FB-ABL-120V05W-27M-GSA-LVR-CM3-ABL

MODEL	PHYSICAL OPTIONS			MATERIAL / FINISH		POWER		LIGHT	
ZDL16	IS1								
ZD16 Series 2.25" Square Downlight Integrated HK LED	IS1 Line Voltage, Square Light Integrated Driver	STYLE	HOOD	ABL Aluminum Black		VOLTAGE	WATTAGE	CCT	OPTICS
		S Standard	B B Style: No Weep Holes	ABR Aluminum Bronze		120V 120V (Phase Control)	05W 5 Watt (400lm)	22 2200K	N Narrow (20°)
		F Finned		AWH Aluminum White		UNIV 120V-277V (0V-10V)	07W 7 Watt (700lm)	24 2400K	M Medium (33°)
				AAC Aluminum Anodized Clear ¹			10W 10 Watt (1000lm)	25 2500K	W Wide (44°)
				NBR Natural Brass ¹			SPW Specialty ²	27 2700K	E Extra Wide (57°)
				NCU Natural Copper ¹				30 3000K	CC Custom Optic
				NSS Natural Stainless Steel ¹				35 3500K	
				CCC Custom Finish ¹				40 4000K	
								RG RGBW ²	

¹ For premium materials, please consult the factory for current lead times and pricing. A minimum order quantity of 10 units is required.

² For Specialty RG (RGBW LED), select SPW (Specialty) for Wattage. Consult factory for LED technical details before Specification or Order.

³ Mounts to 3R & 3O style junction boxes

OPTIONAL INSTALLED ACCESSORIES

GLARE SHIELD		OPTIC		MOUNTING (Most common listed, see Page 4 for additional options)	
GSA B Glare Shield Angled		LVR Hexcel Louver		CANOPY MOUNT	
GSL B Glare Shield Long		OSL Overall Spread Lens		CM3-XXX	4.75" Square Canopy Plate (Included) ³
GSS B Glare Shield Short		LSL Linear Spread Lens		SURFACE MOUNT	
		SOL Solite Soft Focus		CB5.5-XXX	5.5" Round Surface Box
		DCF Dichroic Filter			

- Consult Accessory Spec Sheet for desired option code.
- XXX represents color option.

ADDITIONAL ACCESSORIES (Not installed at time of order)

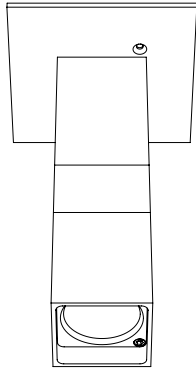
GLARE SHIELD ACCESSORIES

GSL-SQ-16-XXX	Square Glare Shield Long
GSA-SQ-16-XXX	Square Glare Shield Angled
GSS-SQ-16-XXX	Square Glare Shield Short

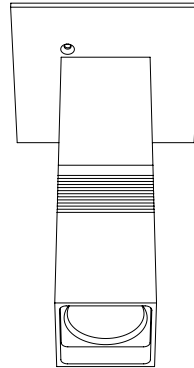
OPTIC ACCESSORIES

LVR-16	Hexcel Louver
OSL-16	Overall Spread Lens
LSL-16	Linear Spread Lens
SOL-16	Solite Soft Focus
DCF-16	Dichroic Filter
OPK-16	Optic Kit - Narrow, Medium, Wide, Extra Wide

PRODUCT DRAWINGS

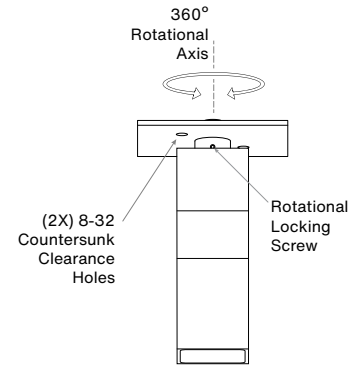
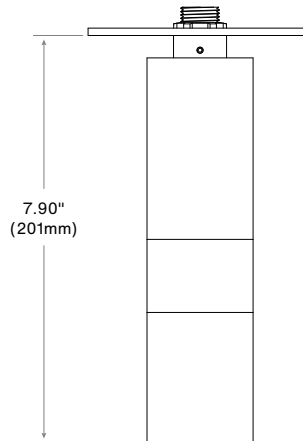
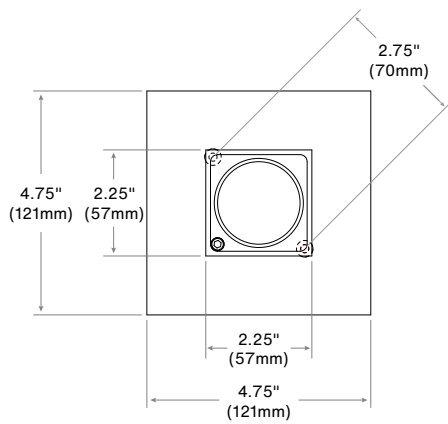


ZDL16-IS1SB
Standard

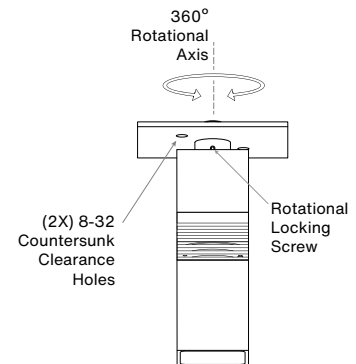
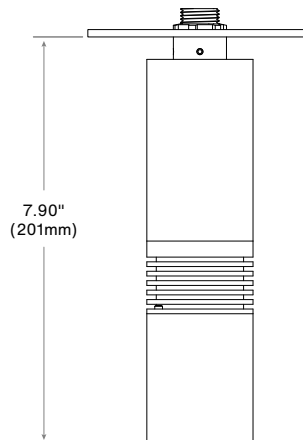
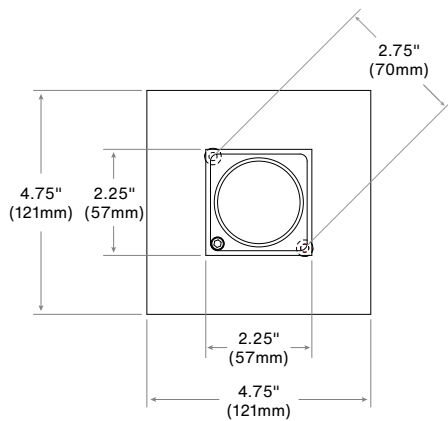


ZDL16-IS1FB
Finned

ZDL16-IS1SB



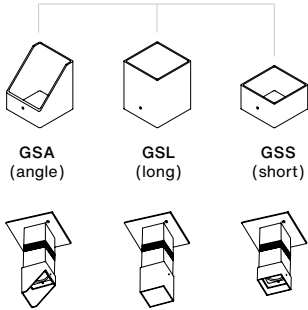
ZDL16-IS1FB



OPTIONS & ACCESSORIES

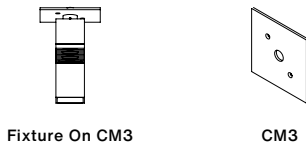
OPTIONAL GLARE SHIELD

For use with B Hood
Fastened with Set Screw



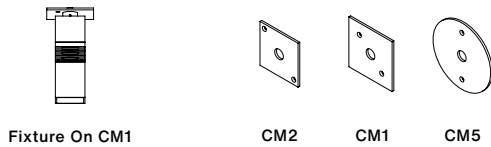
INCLUDED MOUNTING ACCESSORIES

Canopy Mount:

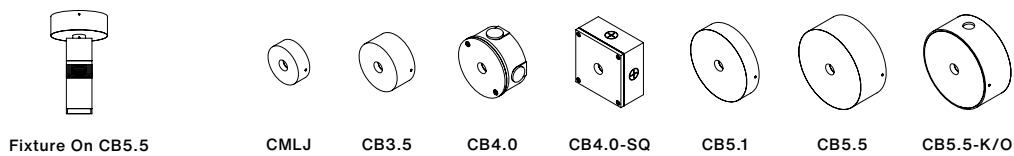


OPTIONAL MOUNTING ACCESSORIES

Canopy Mount:



Surface Mount Box:



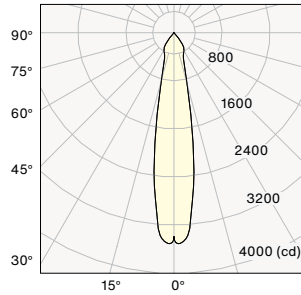
Notes:

PHOTOMETRY & ENERGY DATA

ZDL16-I Square (Narrow)

Input Power	9.5W
Color Temperature (CCT)	3000K
Color Rendering Index (Ra)	83
Beam Angle	20.5°
Max. Candlepower	3507cd
Delivered Lumens	864lm
Efficacy	91lm/W

Polar Graph - Intensity



Cone of Light - Illuminance

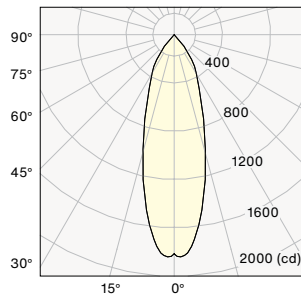
Center Beam (fc)	Beam Diameter	Distance
877	0.7'	2.0'
219	1.4'	4.0'
97	2.2'	6.0'
55	2.9'	8.0'
35	3.6'	10.0'

1/2 Beam Angle: 20.5°

ZDL16-I Square (Medium)

Input Power	9.5W
Color Temperature (CCT)	3000K
Color Rendering Index (Ra)	83
Beam Angle	32.5°
Max. Candlepower	1842cd
Delivered Lumens	863lm
Efficacy	91lm/W

Polar Graph - Intensity



Cone of Light - Illuminance

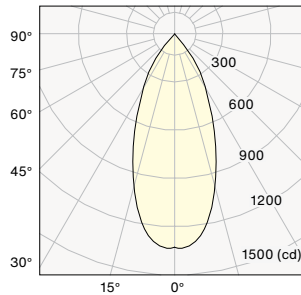
Center Beam (fc)	Beam Diameter	Distance
460	1.2'	2.0'
115	2.3'	4.0'
51	3.5'	6.0'
29	4.6'	8.0'
18	5.8'	10.0'

1/2 Beam Angle: 32.5°

ZDL16-I Square (Wide)

Input Power	9.5W
Color Temperature (CCT)	3000K
Color Rendering Index (Ra)	83
Beam Angle	44.1°
Max. Candlepower	1332cd
Delivered Lumens	850lm
Efficacy	89lm/W

Polar Graph - Intensity



Cone of Light - Illuminance

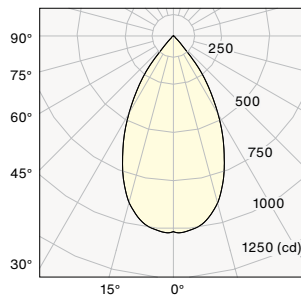
Center Beam (fc)	Beam Diameter	Distance
333	1.6'	2.0'
83	3.2'	4.0'
37	4.9'	6.0'
21	6.5'	8.0'
13	8.1'	10.0'

1/2 Beam Angle: 44.1°

ZDL16-I Square (Extra Wide)

Input Power	9.5W
Color Temperature (CCT)	3000K
Color Rendering Index (Ra)	83
Beam Angle	56.9°
Max. Candlepower	1019cd
Delivered Lumens	876lm
Efficacy	92lm/W

Polar Graph - Intensity



Cone of Light - Illuminance

Center Beam (fc)	Beam Diameter	Distance
255	2.3'	2.0'
64	4.6'	4.0'
28	6.9'	6.0'
16	9.2'	8.0'
10	11.5'	10.0'

1/2 Beam Angle: 56.9°

WATTAGE MULTIPLIER

Wattage	Multiplier
5 Watt	0.45
7 Watt	0.80
10 Watt	1.14

CCT MULTIPLIER

Color Temp.	Multiplier
2700k	0.97
3000k	1.00
4000k	1.05