

# ZDL25-I

(includes former ZXL25i-CM-ADJ model)

DOWNLIGHT | ZD25 Series | 3.50" dia.  
21-28W (2000-2700lm) | 120V-277V | HK LED, RGBW



Line Voltage Downlight - Finned: ZDL25-IR1FB-AAC

## FEATURES

- Adjustable 3.50" round, integrated LED, line-voltage downlight for architectural outdoor applications.
- Adjustable aiming with up to 60° tilt and 360° rotation.
- 21W, 28W integrated HK LED delivering 2000–2700 lumens. 2200–4000K CCT, including specialty RGBW option.
- Wet Location Listed, IP65 Standard.
- Machined from solid aircraft-grade (6061-T6), corrosion-resistant aluminum, then anodized and powder coated to create a highly durable, marine-grade finish. Also available in solid brass or stainless steel.
- Modular component design with configurable optical beam angles and accessory lenses.
- Includes integrated 3.5" surface mount box. Adjustable angled, long, and short glare shields, along with additional canopy and surface mount options, are available.
- Every fixture tested end of line for water tightness and light quality.

## SPECIFICATIONS

<p><b>Materials</b> Solid billet 6061-T6 corrosion resistant aluminum with 304 stainless steel hardware.</p> <p><b>Finish</b> Aluminum materials are first anodized and then powder coated for a robust, marine grade finish. Stainless steel and brass models are provided with brushed surface.</p> <p><b>Hood and Glare Shield</b> Non-weeping Hood Style. Set screw or threaded Angled, Short, or Long Glare Shields. (See page 4 for details)</p>	<p><b>Voltage</b> 120V–277V AC.</p> <p><b>Wattage</b> 21 or 28W HK LED delivers 2000–2700 lumens.</p> <p><b>Light Engine</b> CRI 90 Standard. Available in CRI 80 or CRI 95 upon request. Standard CCT options are 2700K, 3000K, 3500K, 4000K. Specialty 2200K, 2400K, 2500K, and RGBW options available. Consult factory for specialty LED specification details.</p> <p><b>Driver/Dimming</b> Onboard, Integrated LED Driver Phase Control @120V, 0V–10V @120V–277V, DALI or DMX control available, consult factory for details.</p>	<p><b>Optics</b> Narrow (16°), Medium (26°), Wide (40°), and Extra Wide (60°) beam spread options available. Accepts up to 3 optical accessories (hexcel louver, optical lenses, dichroic color filters, etc.) Secured in place with metal snap ring.</p> <p><b>Mounting</b> Includes integrated 3.5" surface mount box and (2X) 8-32 UNC machine screws (provided) to attach to a standard octagon recessed back box (provided by others).</p> <p><b>Listings</b> ETL Listed for Wet Location, IP65 Standard. RoHS Compliant.</p>
--	--	--

## ORDERING GUIDE

EXAMPLE: ZDL25-IR1FB-ABL-120V21W-22N-GSA-LVR-CM5-ABL

MODEL	PHYSICAL OPTIONS				MATERIAL / FINISH		POWER		LIGHT	
<b>ZDL25</b>	<b>IR1</b>	<b>F</b>	<b>B</b>							
ZD25 Series 3.50" Adjustable Downlight Integrated HK LED	<b>IR1</b> Line Voltage, Round Single Light Integrated Driver	<b>STYLE</b> F Finned	<b>HOOD</b> B B Style: No Weep Holes		<b>ABL</b> Aluminum Black	<b>VOLTAGE</b> 120V (Phase Control)	<b>WATTAGE</b> 21W 21 Watt (2000lm)	<b>CCT</b> 22 2200K	<b>OPTICS</b> N Narrow (16°)	
					<b>ABR</b> Aluminum Bronze	<b>UNIV</b> 120V-277V (0V-10V)	<b>28W</b> 28 Watt (2700lm)	<b>24</b> 2400K	<b>M</b> Medium (26°)	
					<b>AWH</b> Aluminum White		<b>SPW</b> Specialty <sup>2</sup>	<b>25</b> 2500K	<b>W</b> Wide (40°)	
					<b>AAC</b> Aluminum Anodized Clear <sup>1</sup>			<b>27</b> 2700K	<b>E</b> Extra Wide (60°)	
					<b>NBR</b> Natural Brass <sup>1</sup>			<b>30</b> 3000K	<b>CC</b> Custom Optic	
					<b>NCU</b> Natural Copper <sup>1</sup>			<b>35</b> 3500K		
					<b>NSS</b> Natural Stainless Steel <sup>1</sup>			<b>40</b> 4000K		
					<b>CCC</b> Custom Finish <sup>1</sup>			<b>RG</b> RGBW <sup>2</sup>		

<sup>1</sup> For premium materials, please consult the factory for current lead times and pricing. A minimum order quantity of 10 units is required.

<sup>2</sup> For Specialty RG (RGBW LED), select SPW (Specialty) for Wattage. Consult factory for LED technical details before Specification or Order.

<sup>3</sup> Mounts to 3R & 3O style junction boxes

## OPTIONAL INSTALLED ACCESSORIES

GLARE SHIELD		OPTIC		MOUNTING (Most common listed, see Page 4 for additional options)	
<b>GSA</b>	B Glare Shield Angled	<b>LVR</b>	Hexcel Louver	<b>CANOPY MOUNT</b>	
<b>GSL</b>	B Glare Shield Long	<b>OSL</b>	Overall Spread Lens	<b>CM5-XXX</b>	5" Round Canopy Plate <sup>3</sup>
<b>GSS</b>	B Glare Shield Short	<b>LSL</b>	Linear Spread Lens	<b>SURFACE MOUNT</b>	
		<b>SOL</b>	Solite Soft Focus	<b>CB5.5-XXX</b>	5.5" Round Surface Box
		<b>DCF</b>	Dichroic Filter		

• Consult Accessory Spec Sheet for desired option code.

• XXX represents color option.

## ADDITIONAL ACCESSORIES (Not installed at time of order)

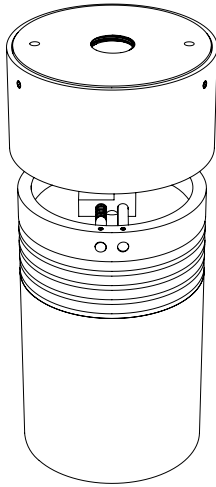
### GLARE SHIELD ACCESSORIES

<b>GSL-25-XXX</b>	B Glare Shield Long
<b>GSA-25-XXX</b>	B Glare Shield Angled
<b>GSS-25-XXX</b>	B Glare Shield Short

### OPTIC ACCESSORIES

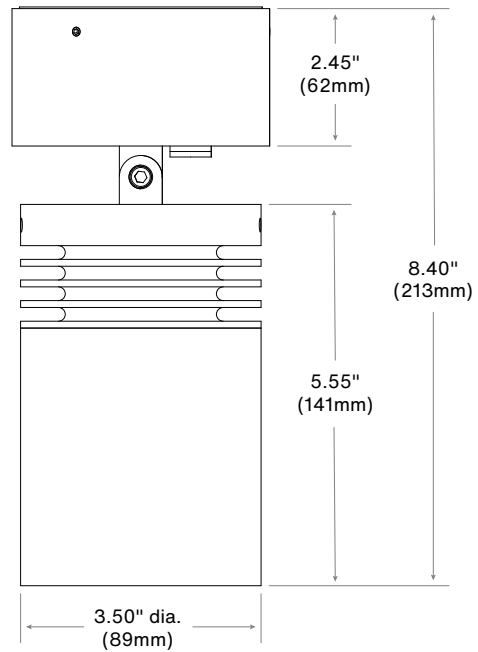
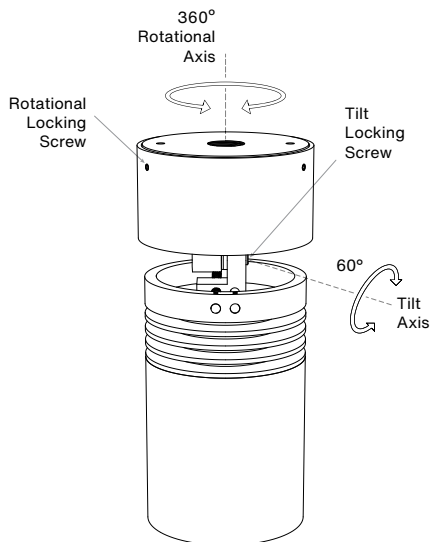
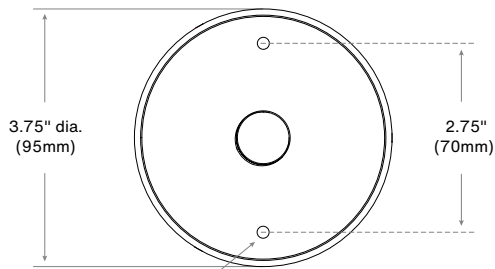
<b>LVR-25</b>	Hexcel Louver
<b>OSL-25</b>	Overall Spread Lens
<b>LSL-25</b>	Linear Spread Lens
<b>SOL-25</b>	Solite Soft Focus
<b>DCF-25</b>	Dichroic Filter
<b>OPK-25</b>	Optic Kit - Narrow, Medium, Wide, Extra Wide

**PRODUCT DRAWINGS**



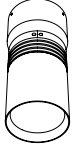
**ZDL25-IR1FB**  
Finned

**ZDL25-IR1FB**



**OPTIONS & ACCESSORIES**

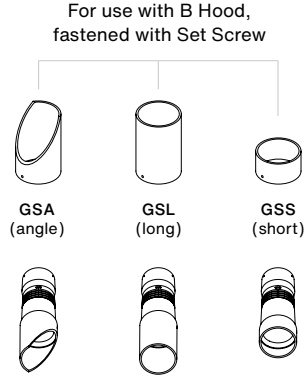
**HOOD OPTIONS**



**B HOOD**

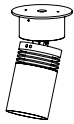
Regressed lens for glare control. Suggested for downlighting and interior applications.

**OPTIONAL GLARE SHIELD**

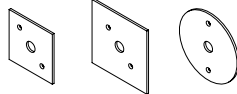


**MOUNTING ACCESSORIES**

**Canopy Mount:**

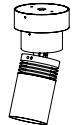


Fixture On CM5

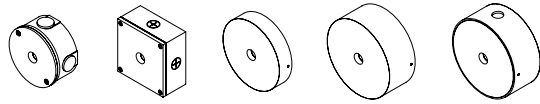


CM1      CM3      CM5

**Surface Mount Box:**



Fixture On CB5.5



CB4.0      CB4.0-SQ      CB5.1      CB5.5      CB5.5-K/O

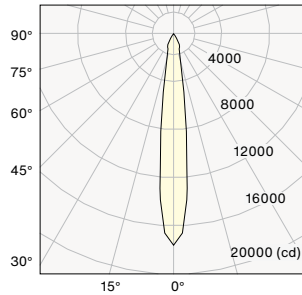
**Notes:**

## PHOTOMETRY & ENERGY DATA

### ZDL25-I (Narrow)

Input Power	28.2W
Color Temperature (CCT)	3000K
Color Rendering Index (Ra)	83
Beam Angle	16.1°
Max. Candlepower	17751cd
Delivered Lumens	2652lm
Efficacy	94lm/W

Polar Graph - Intensity



Cone of Light - Illuminance

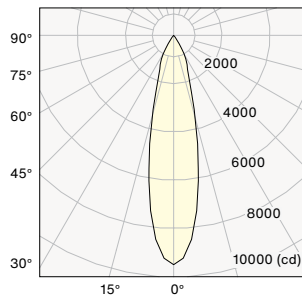
Center Beam (fc)	Beam Diameter	Distance
4438	0.6'	2.0'
1109	1.1'	4.0'
493	1.7'	6.0'
277	2.3'	8.0'
178	2.8'	10.0'

1/2 Beam Angle: 16.1°

### ZDL25-I (Medium)

Input Power	28.0W
Color Temperature (CCT)	3000K
Color Rendering Index (Ra)	83
Beam Angle	25.5°
Max. Candlepower	9513cd
Delivered Lumens	2702lm
Efficacy	97lm/W

Polar Graph - Intensity



Cone of Light - Illuminance

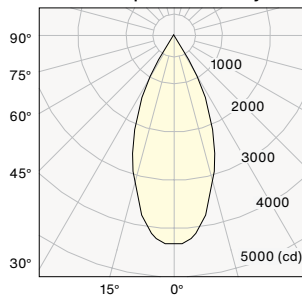
Center Beam (fc)	Beam Diameter	Distance
2378	0.9'	2.0'
595	1.8'	4.0'
264	2.7'	6.0'
149	3.6'	8.0'
95	4.5'	10.0'

1/2 Beam Angle: 25.5°

### ZDL25-I (Wide)

Input Power	28.0W
Color Temperature (CCT)	3000K
Color Rendering Index (Ra)	83
Beam Angle	44.2°
Max. Candlepower	4285cd
Delivered Lumens	2220lm
Efficacy	82lm/W

Polar Graph - Intensity



Cone of Light - Illuminance

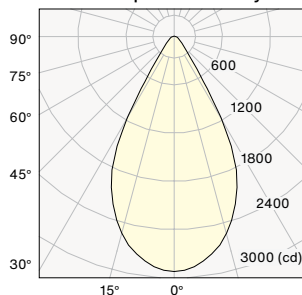
Center Beam (fc)	Beam Diameter	Distance
1071	2.3'	2.0'
268	4.6'	4.0'
119	6.9'	6.0'
67	9.3'	8.0'
43	11.6'	10.0'

1/2 Beam Angle: 44.2°

### ZDL25-I (Extra Wide)

Input Power	29.0W
Color Temperature (CCT)	3000K
Color Rendering Index (Ra)	83
Beam Angle	60.1°
Max. Candlepower	2926cd
Delivered Lumens	2667lm
Efficacy	92lm/W

Polar Graph - Intensity



Cone of Light - Illuminance

Center Beam (fc)	Beam Diameter	Distance
731	2.3'	2.0'
183	4.6'	4.0'
81	6.9'	6.0'
46	9.3'	8.0'
29	11.6'	10.0'

1/2 Beam Angle: 60.1°

### WATTAGE MULTIPLIER

Wattage	Multiplier
21 Watt	0.71
28 Watt	1.00

### CCT MULTIPLIER

Color Temp.	Multiplier
2700k	0.97
3000k	1.00
4000k	1.05
RGBW	N/A